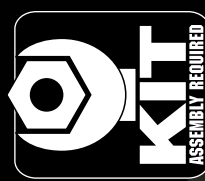
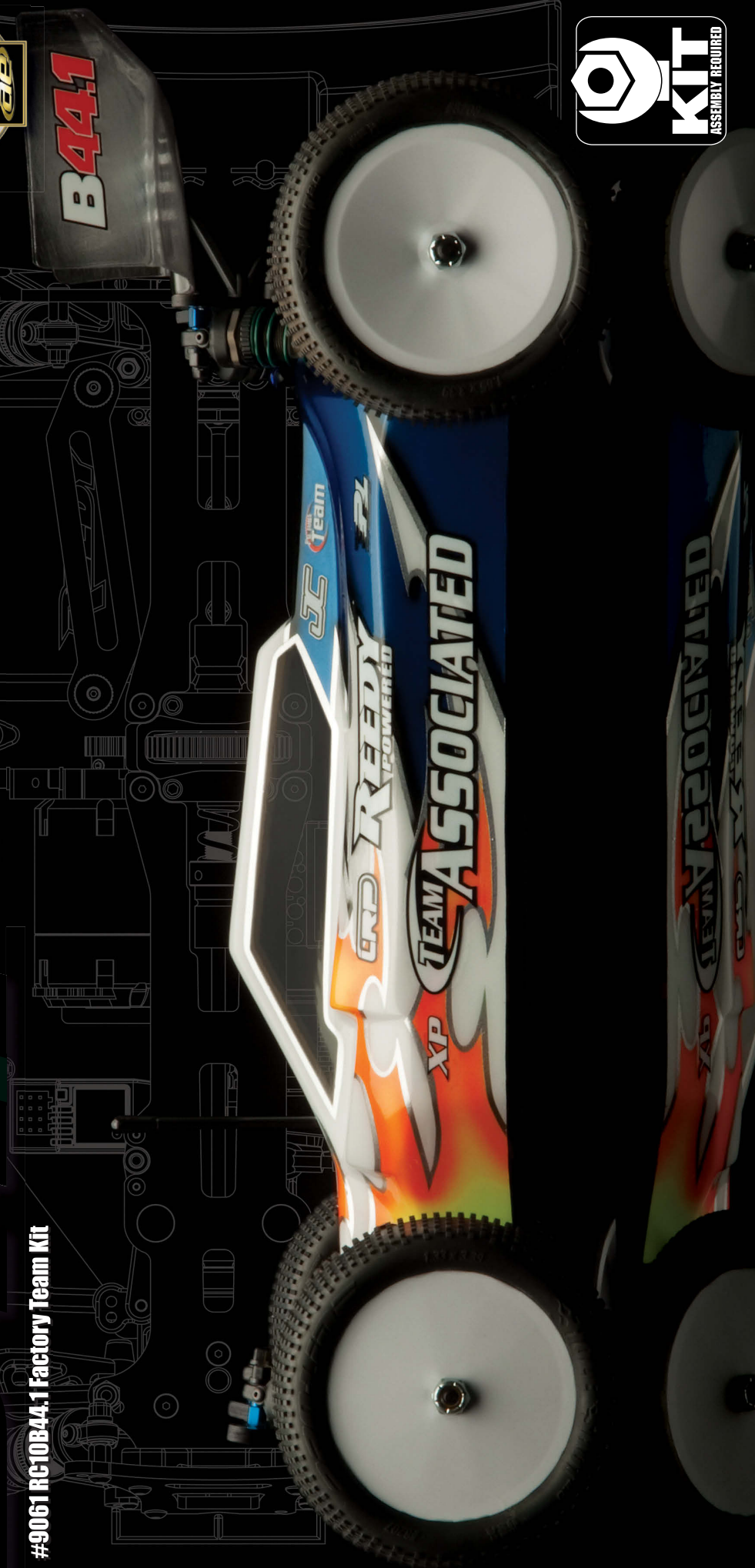


B44.1

FACTORY Team

#9061 RC10B44.1 Factory Team Kit



1:10 Scale Electric 4WD Off Road Competition Buggy Kit Manual & Catalog 9/10

TEAM ASSOCIATED



Designed in California, USA

:: Introduction

Thank you for purchasing this Team Associated product. This assembly manual contains instructions and tips for building and maintaining your new RC10 B44.1. Please take a moment to read through this manual to help familiarize yourself with these steps.

We are continually changing and improving our designs; therefore, actual parts may appear slightly different than in the illustrations. New parts will be noted on supplementary sheets located in the appropriate parts bags. Check each bag for these sheets before you start to build.

:: KIT Features

The Factory Team B44.1 is the next generation in a long line of race winning 10th scale 4wd buggies dating back to 2003. The B44 project came to life as a cooperative effort between Team Associated and J Concepts' Jason Ruona and Brad Reelfs, culminating with Team Associated driver Ryan Cavalieri winning the 2005 I.F.M.A.R. World Championships in Italy with the BJ4 World's Edition. The production B44 Factory Team continued the winning ways with Jared Tebo winning the 2007 I.F.M.A.R. World Championship in Japan along with Ryan Maifield and Ryan Cavalieri in a 1-2-3 B44 podium sweep.

Team Associated designers optimized the B44.1 for the latest generation of racers using LiPo batteries and brushless motors. With the advent of this new technology, R/C cars are lighter and more powerful than ever. The B44.1 is geared for strictly LiPo batteries, with no cell slots in the chassis and a carbon fiber battery tray as standard equipment. The center section of the battery tray can be replaced with an optional (not included) ballast weight for more rearward weight bias. Motor installation and adjustment is a breeze thanks to the cam motor mount system. The blue aluminum rear hubs add durability and new camber link adjustment options. Lastly, the B44.1 comes with the latest JConcepts Punisher body and under tray.

Features in the B44.1 Factory Team:

- 2.5mm updated carbon fiber chassis for LiPo batteries only
- Carbon fiber LiPo battery tray with removable center section (*optional ballast weight req'd)
- 3.5 mm front shock tower
- Updated front top deck for more durability along with new antenna location
- Cam motor mount set
- Factory Team 0 degree aluminum rear hubs with oversize outer bearing.
- Factory Team V2 dual-cap hard anodized shock bodies with threaded collars
- V2 slipper assembly with high-rate spring
- Factory Team Gold slipper pads
- JConcepts Punisher body and under tray
- Pro-Line M3 Holeshoot 2.0 tires
- Rear anti-roll bar included
- Bleed-screw shock caps
- TiN "Gold" shock shafts front and rear
- Carbon fiber battery straps with thumb screws
- 1/4" locking and 3/16" mini locking nuts

:: Additional Features

B44.1 F.T. Additional Kit Features:

- Servo mounted 3mm closer to centerline
- Ball differential with light-weight outdrives
- CVA joints with pin retainer clips
- Factory Team blue aluminum servo mounts
- Factory Team blue aluminum shock bushings
- Ball-bearings steering bell cranks
- Built in servo saver
- Chassis cut for additional ground clearance
- Dual-sided externally adjustable slipper clutch
- Factory Team blue Titanium turnbuckles
- Factory Team blue aluminum wheel spacers
- Factory Team blue aluminum shock pivot balls
- Fully adjustable camber, and toe-in
- Vertical ball end adjustment front & rear

:: Other Helpful Items

- Silicone Shock Fluid (Refer to catalog for complete listings)
- Body Scissors (AE Part # 1737)
- FT Hex Wrenches (AE Part # 1541)
- Soldering Iron
- Reamer / Hole Punch
- Needle Nose Pliers
- Calipers or a Precision Ruler
- Wire Cutters
- Multi Tool (AE Part #7494)
- Green Slime shock lube (AE Part # 1105)
- Hobby Knife

Associated Electrics, Inc.
26021 Commercentre Dr.
Lake Forest, CA 92630



Customer Service
Tel: 949.544.7500
Fax: 949.544.7501

:: Table of Contents

1.....Cover	15.....Rear CVA Build
2.....Introduction	15 - 16.....Rear Suspension Build
3.....Table of Contents	16-17.....Rear Anti-Roll Bar Build
4.....Front / Rear Differential Build	17.....Battery Tray and Side Body Mounts Build
5.....Front Gearbox Build	18 - 19.....Shocks Build
6.....Rear Gearbox Build	19 - 20.....Servo Build
7 - 8.....Steering and Center Battery Brace Build / Install	20.....Electronics Install
8 - 9.....Front End Build	21 - 22.....Body, Wheel, Tires Install
9.....Rear End Build	23 - 24.....Tuning Tips
10.....Slipper Build	25-33.....Catalog
11.....Center Bulkhead Mounts	34.....Notes
11.....Front Top Deck Build	35.....Setup Sheet "Kit Setup"
11-12.....Rear Top Deck Build	36.....1:1 Hardware "Fold Out"
13.....Turnbuckles Build	37.....Setup Sheet "Blank"
13.....Front CVA Build	38.....Back Cover
13-14.....Front Suspension Build	

:: Notes

This symbol indicates a special note or instruction in the manual.



There is a 1:1 hardware foldout page in the back of the manual. To check the size of a part, line up your hardware with the correct drawing until you find the exact size. Each part in the foldout has a number assigned to it for ordering replacement parts.

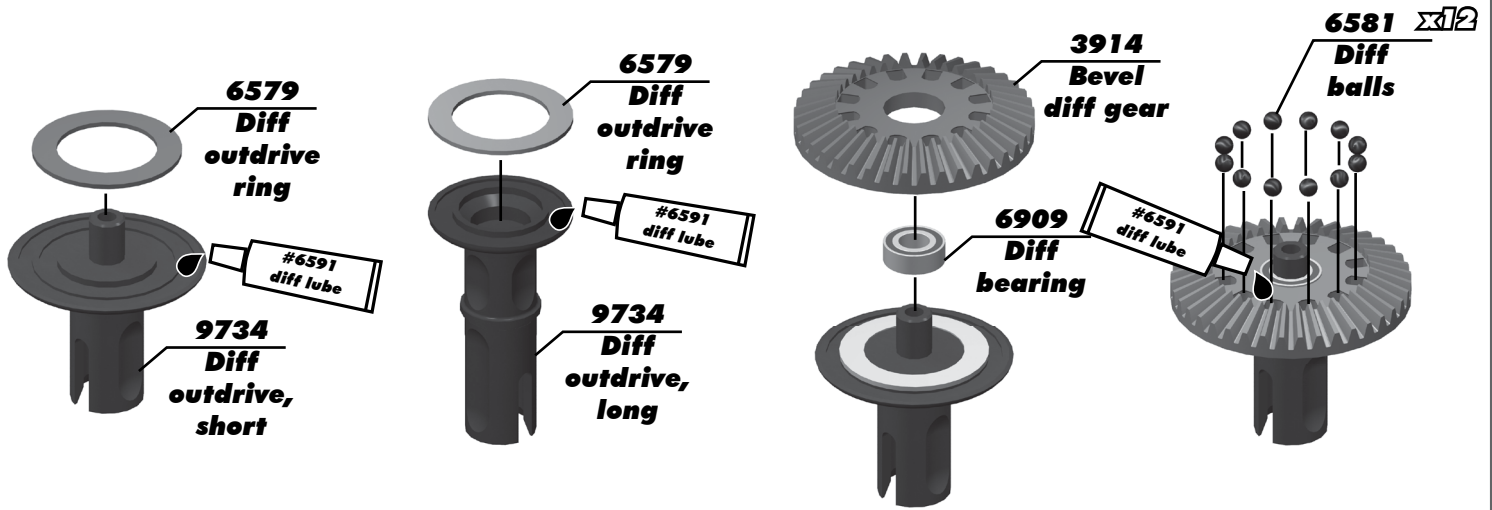
Associated Electrics, Inc.
26021 Commercentre Dr.
Lake Forest, CA 92630



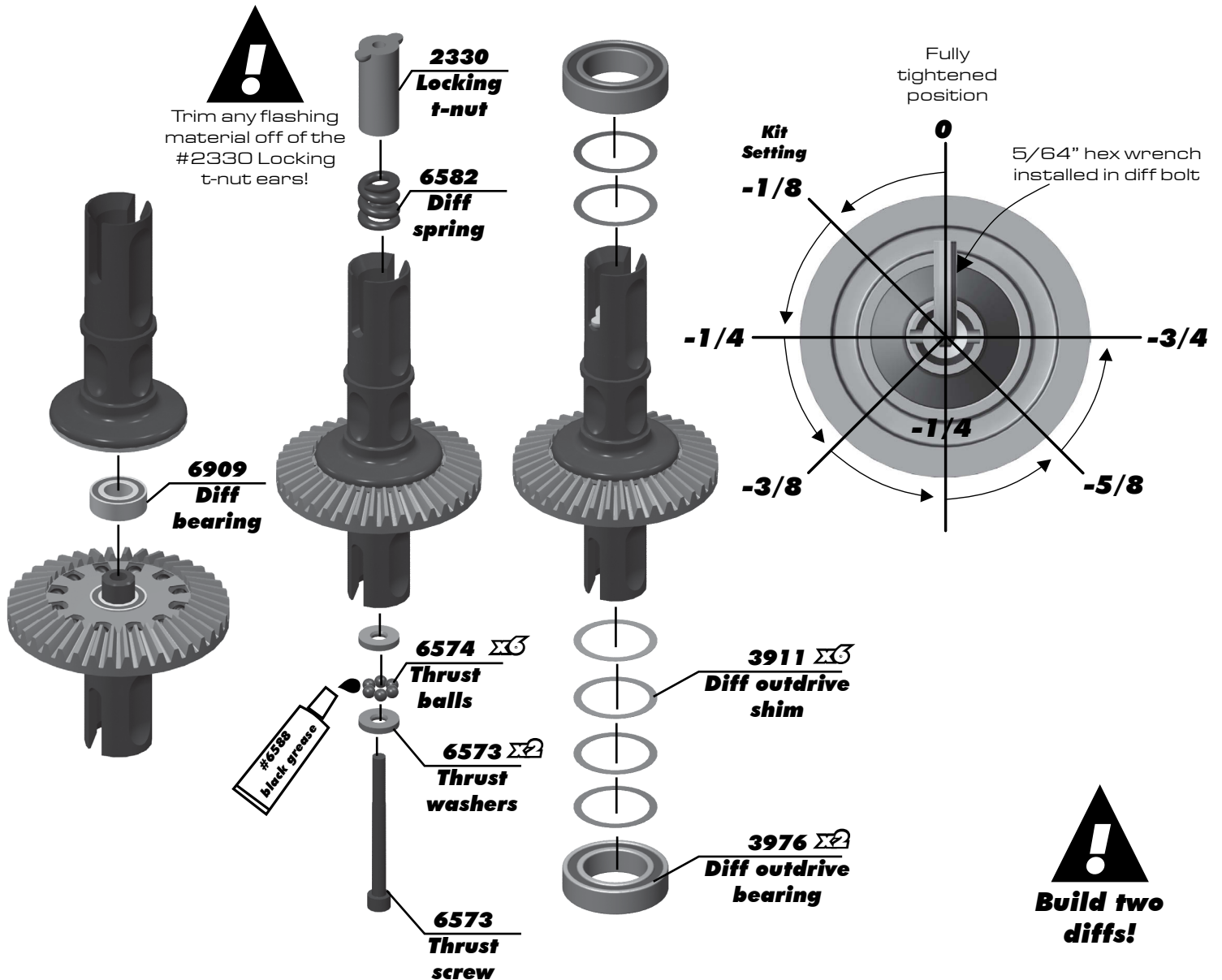
Customer Service
Tel: 949.544.7500
Fax: 949.544.7501

<http://www.TeamAssociated.com> • <http://www.RC10.com> • http://twitter.com/Team_Associated • <http://bit.ly/AEonFacebook>

:: Front and Rear Differential Build - Step 1



:: Front and Rear Differential Build - Step 2



:: Front Gearbox Build - Step 1

7381 CVA coupler

#6588 black grease

9747 CVA bone center, front

9761 CVA input shaft

7996 CVA pin retainer

7381 4-40 setscrew

! Align the gap in the pin retainer to be opposite of the CVA pin.

#1597 ca glue 1 drop!

Racer's Tip: Try using only 1 drop of CA glue to secure the pin retainer!

:: Front Gearbox Build - Step 2

! Trim flashing off back of gear. Align the slot in the pinion gear with the pin!

3977 3/16x3/8" bearing

3911 Drivetrain shim

3903 Shaft pinion gear

3919 Input shaft pin

6299 E-clip

:: Front Gearbox Build - Step 3

#6591 diff lube 1 drop!

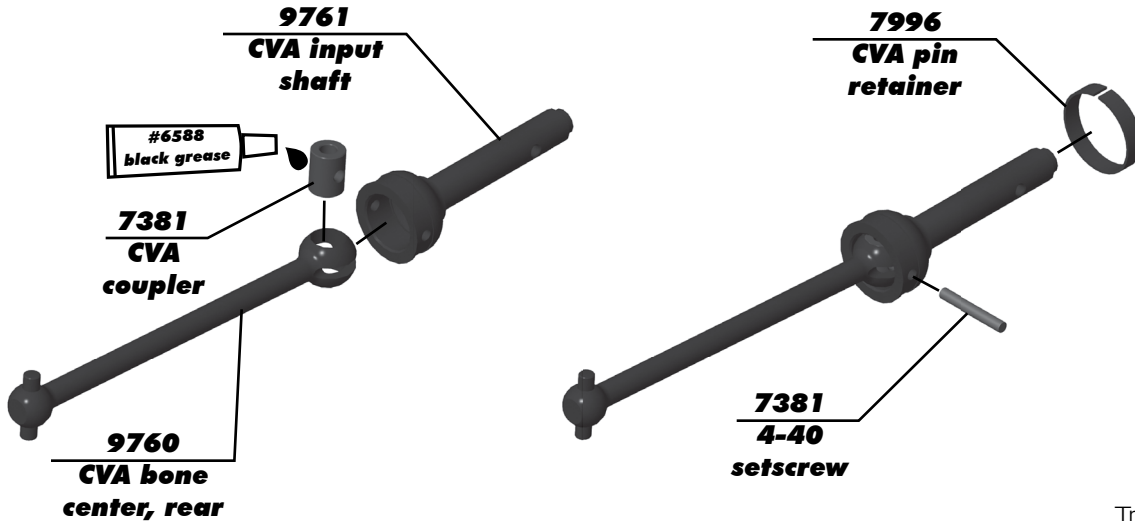
9733 Lower transmission case

9733 Upper transmission case

6860 FT 4-40x3/8" shcs aluminum, blue

#6591 diff lube 1 drop!

:: Rear Gearbox Build - Step 1



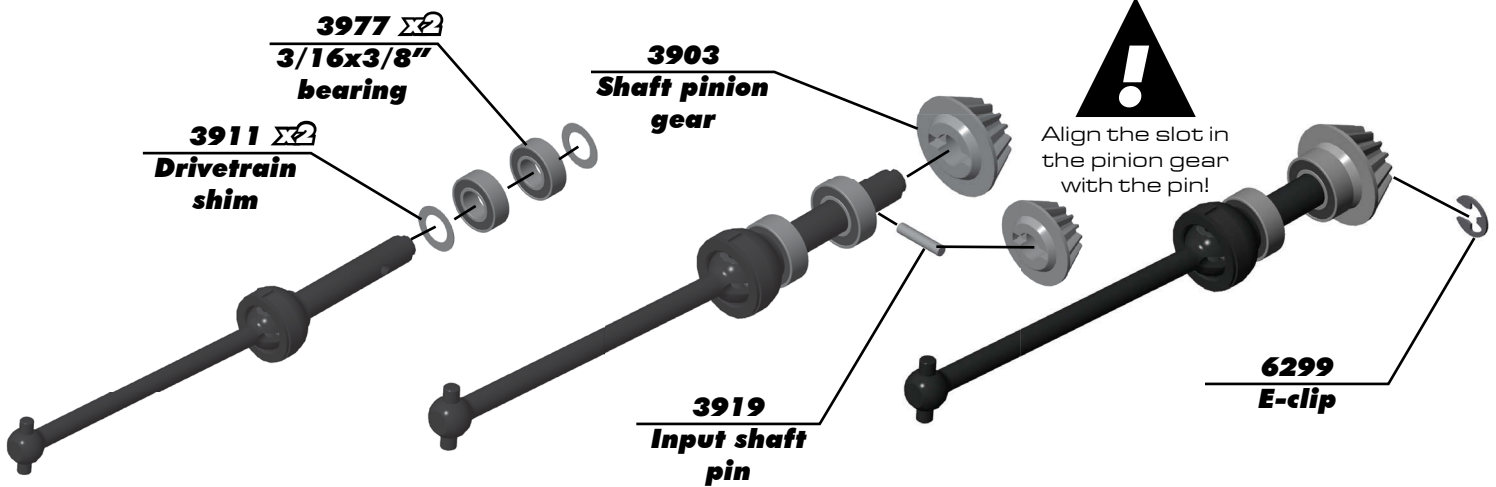
!
Align the gap in the pin retainer to be opposite of the CVA pin.

#1597 ca glue
1 drop!



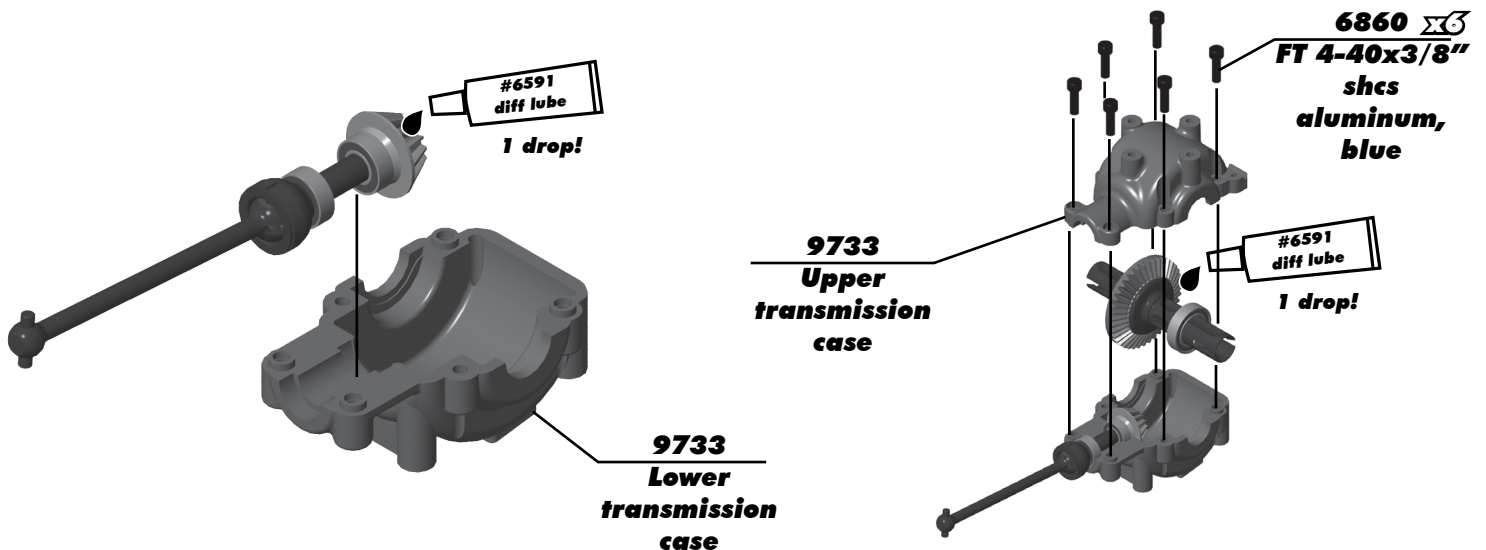
Racer's Tip:
Try using only 1 drop of CA glue to secure the pin retainer!

:: Rear Gearbox Build - Step 2



!
Align the slot in the pinion gear with the pin!

:: Rear Gearbox Build - Step 3



#6591 diff lube
1 drop!

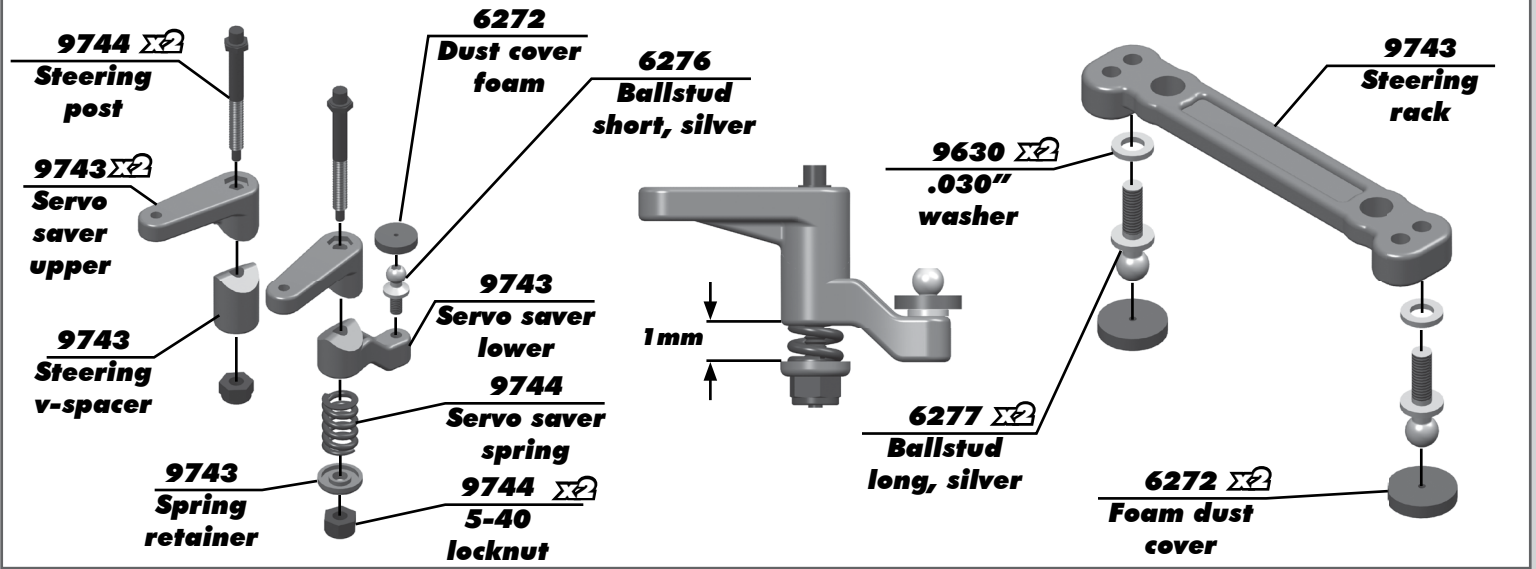
6860 $\Sigma 6$
FT 4-40x3/8"
shcs
aluminum,
blue

9733
Upper transmission case

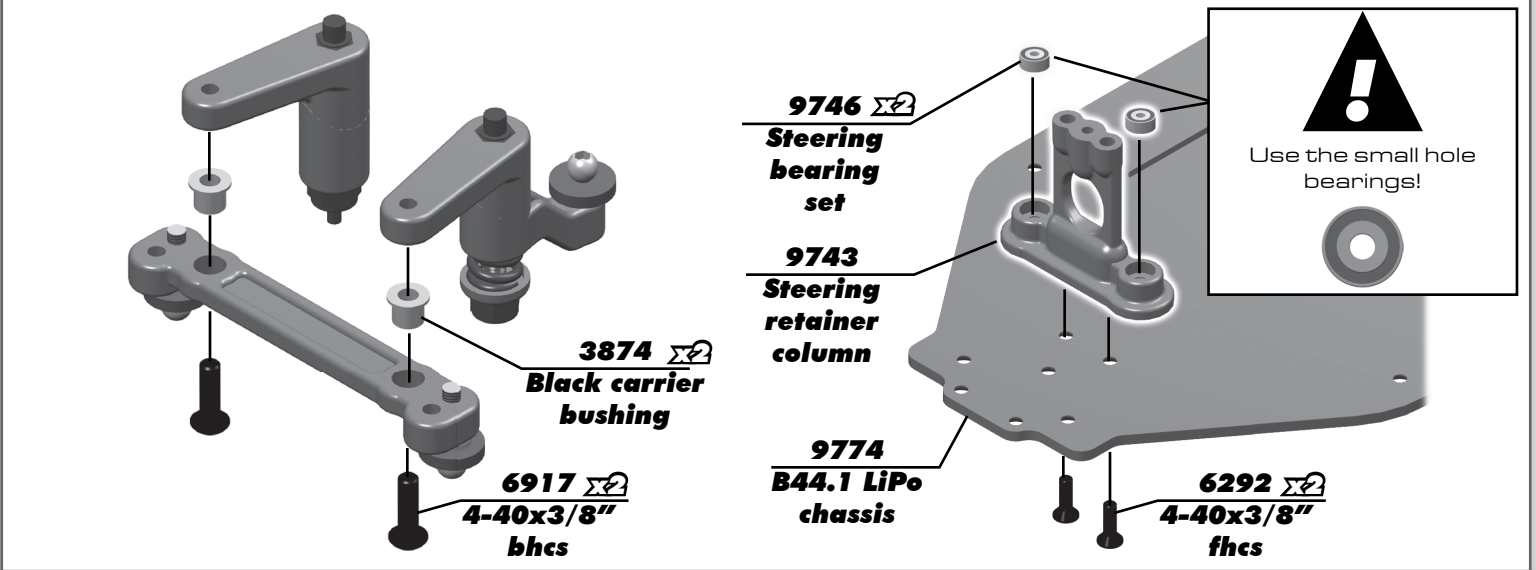
9733
Lower transmission case

#6591 diff lube
1 drop!

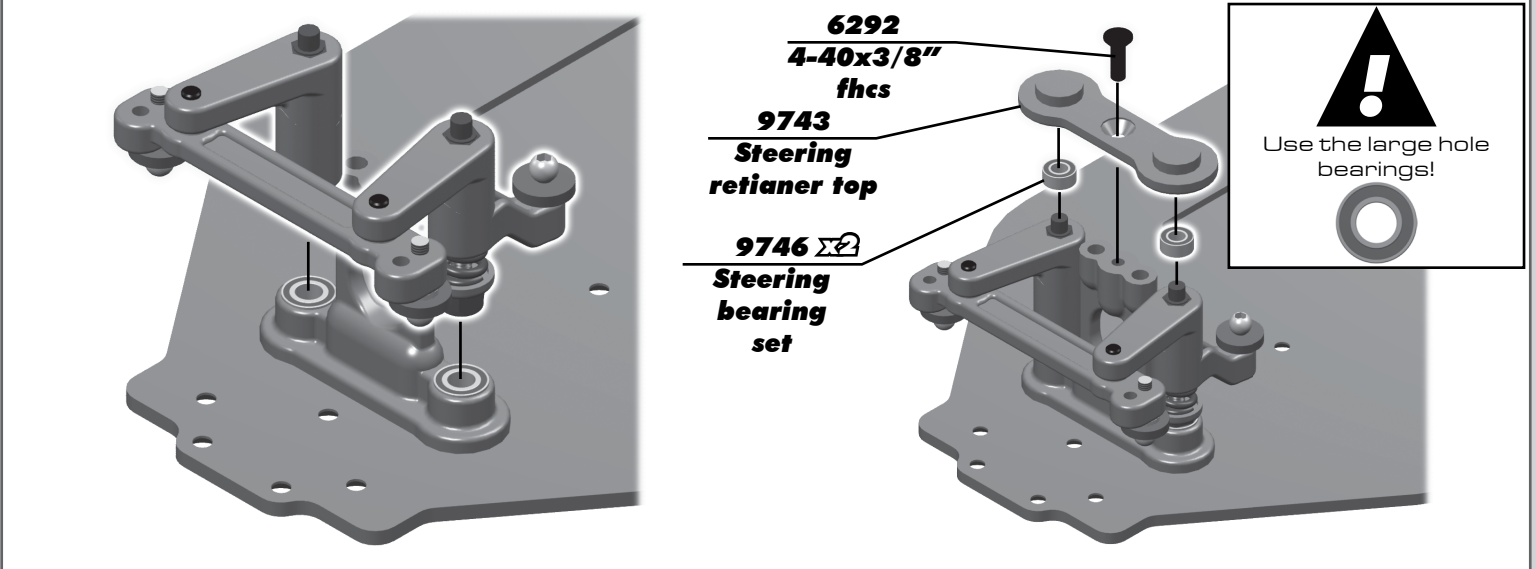
:: Steering and Center Battery Brace Build Step 1



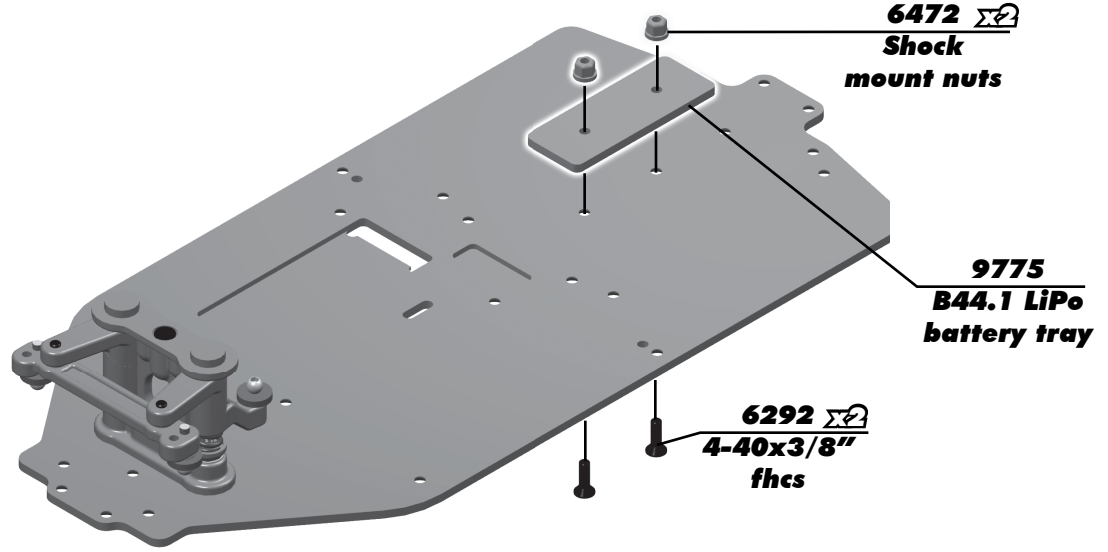
:: Steering and Center Battery Brace Build Step 2



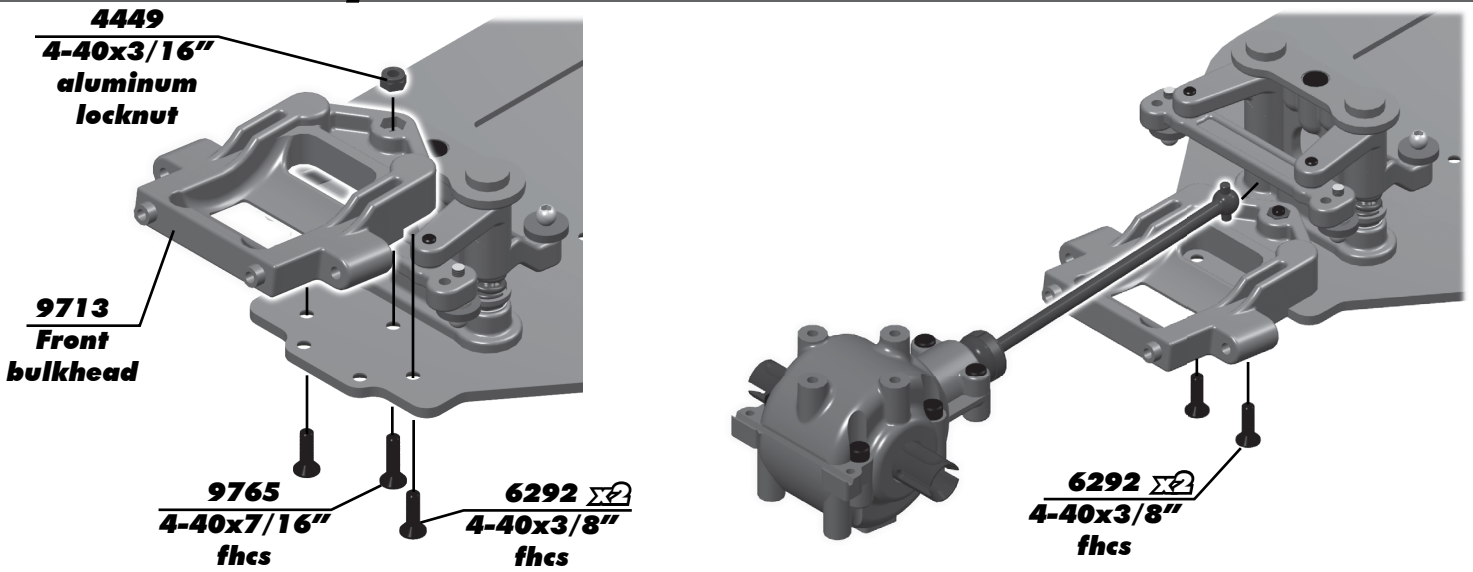
:: Steering and Center Battery Brace Build Step 3



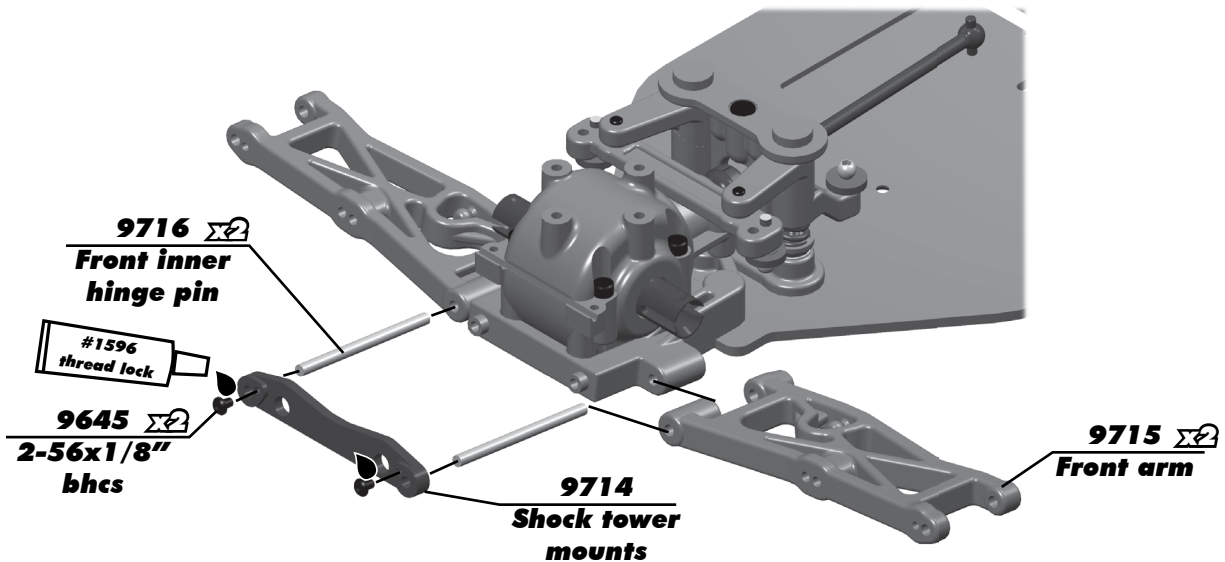
:: Steering and Center Battery Brace Build / Install Step 4



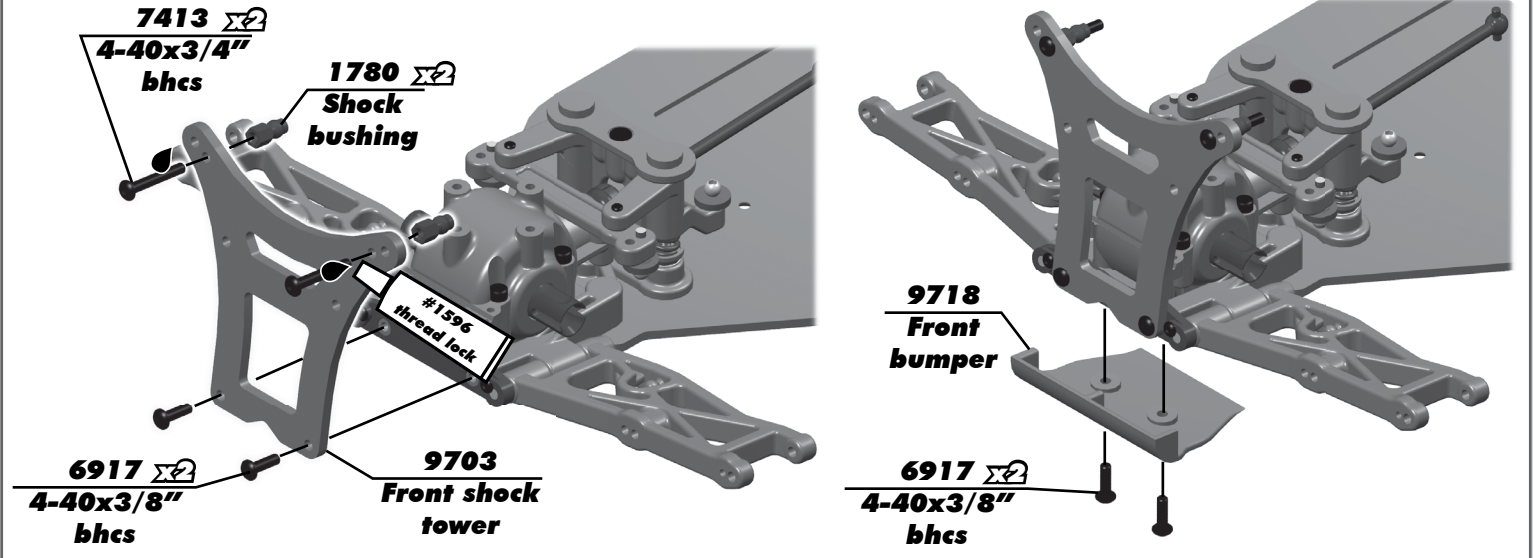
:: Front End Build - Step 1



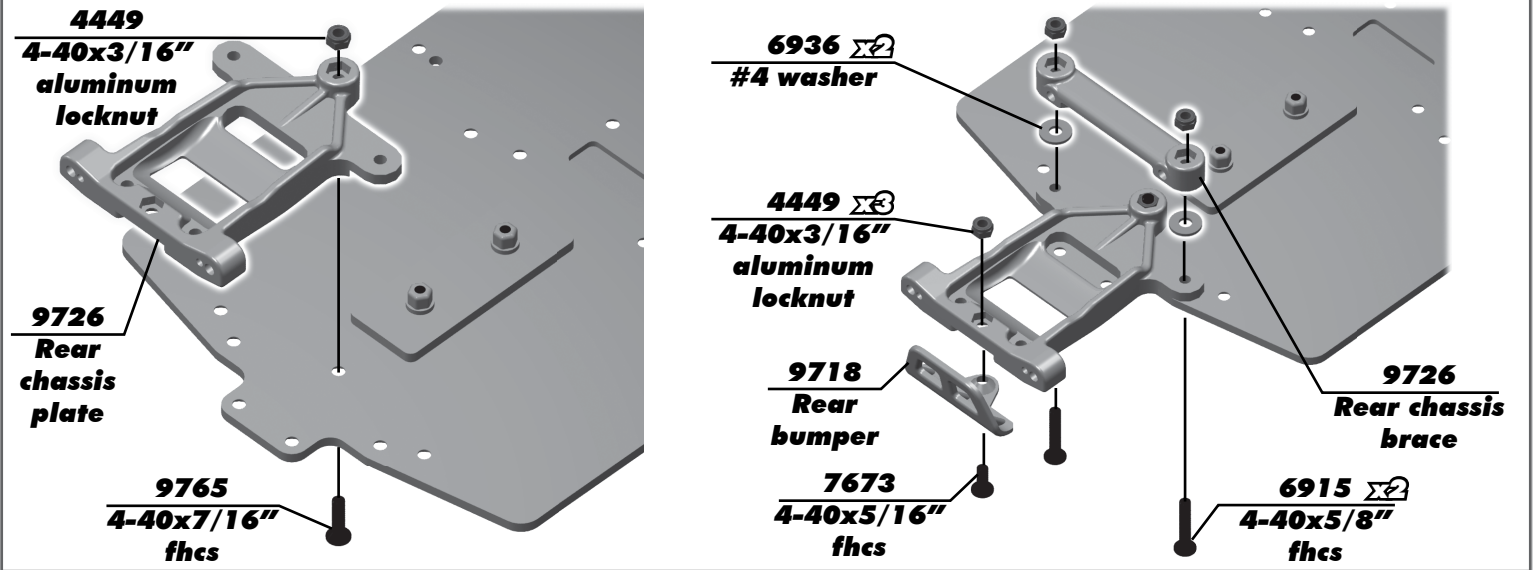
:: Front End Build - Step 2



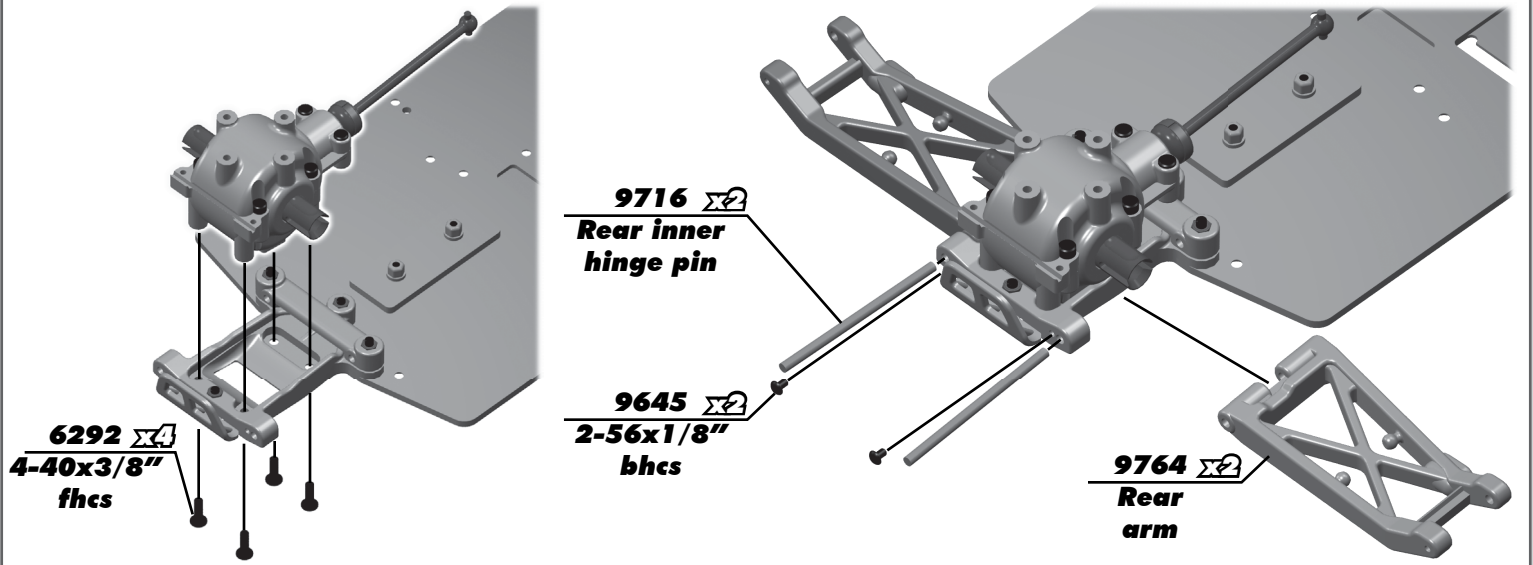
:: Front End Build - Step 3



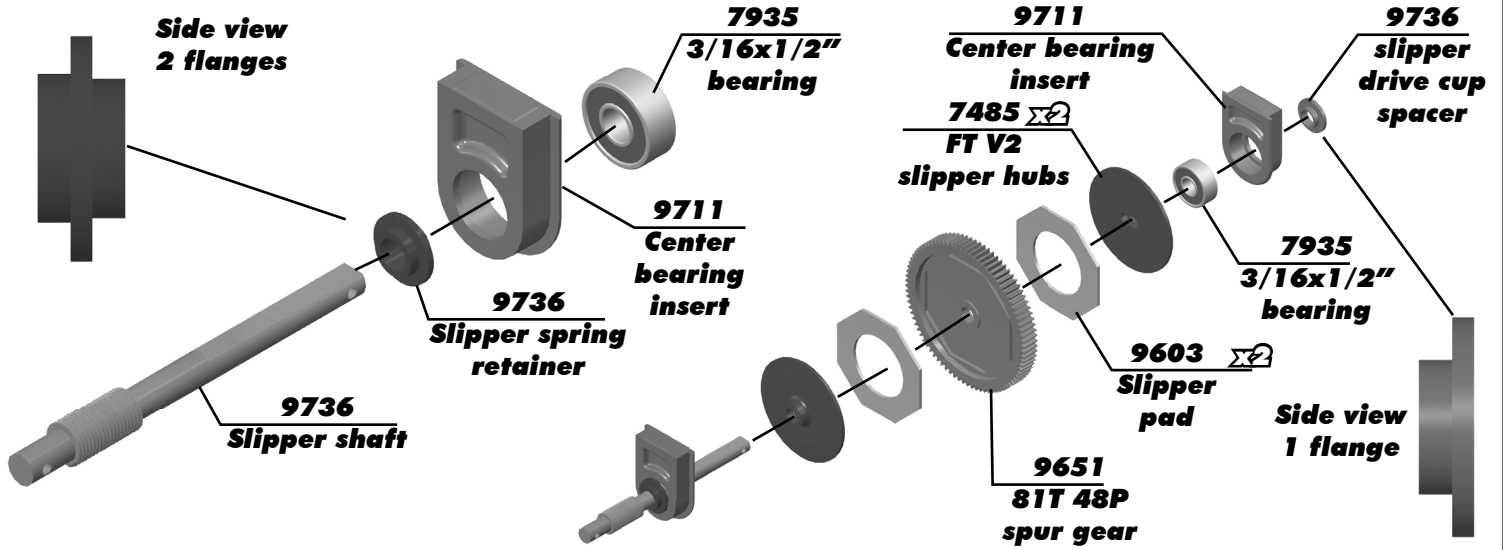
:: Rear End Build - Step 1



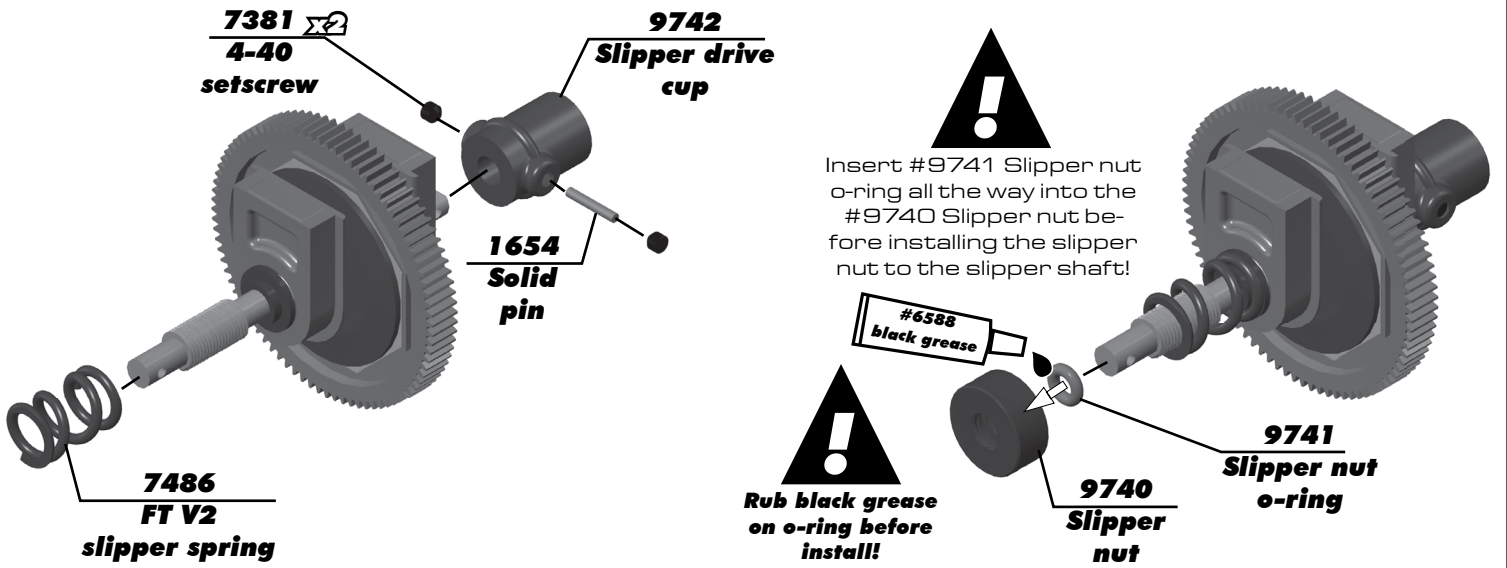
:: Rear End Build - Step 2



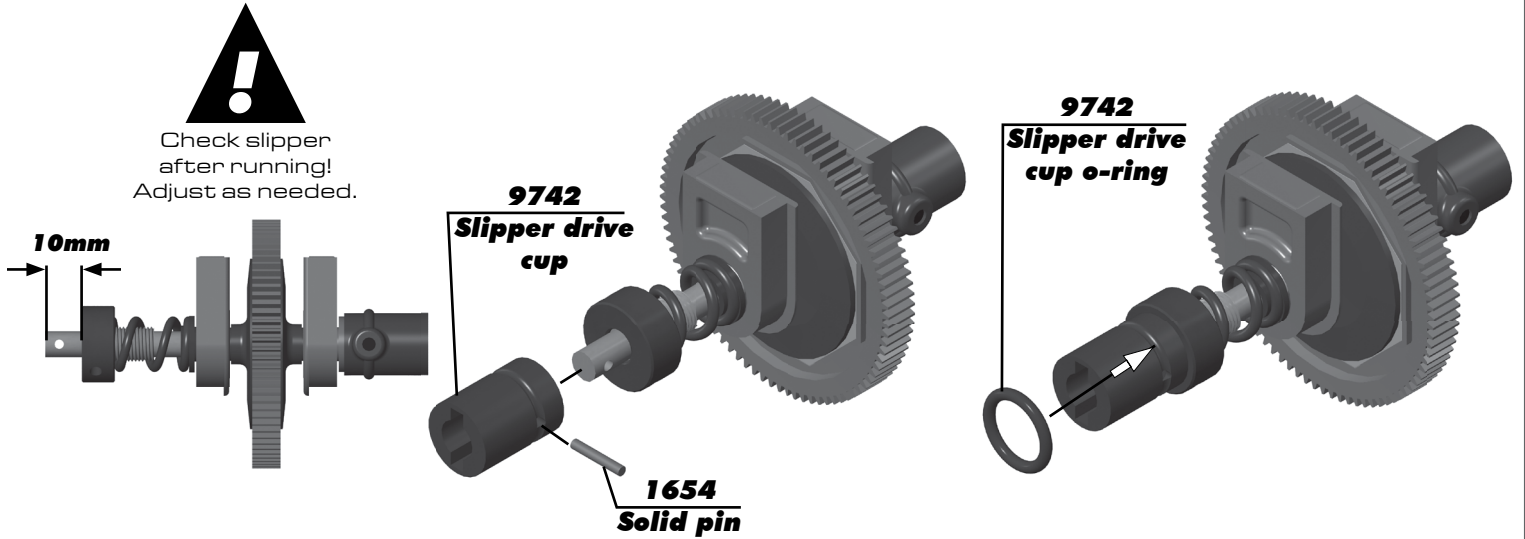
:: Slipper Build - Step 1



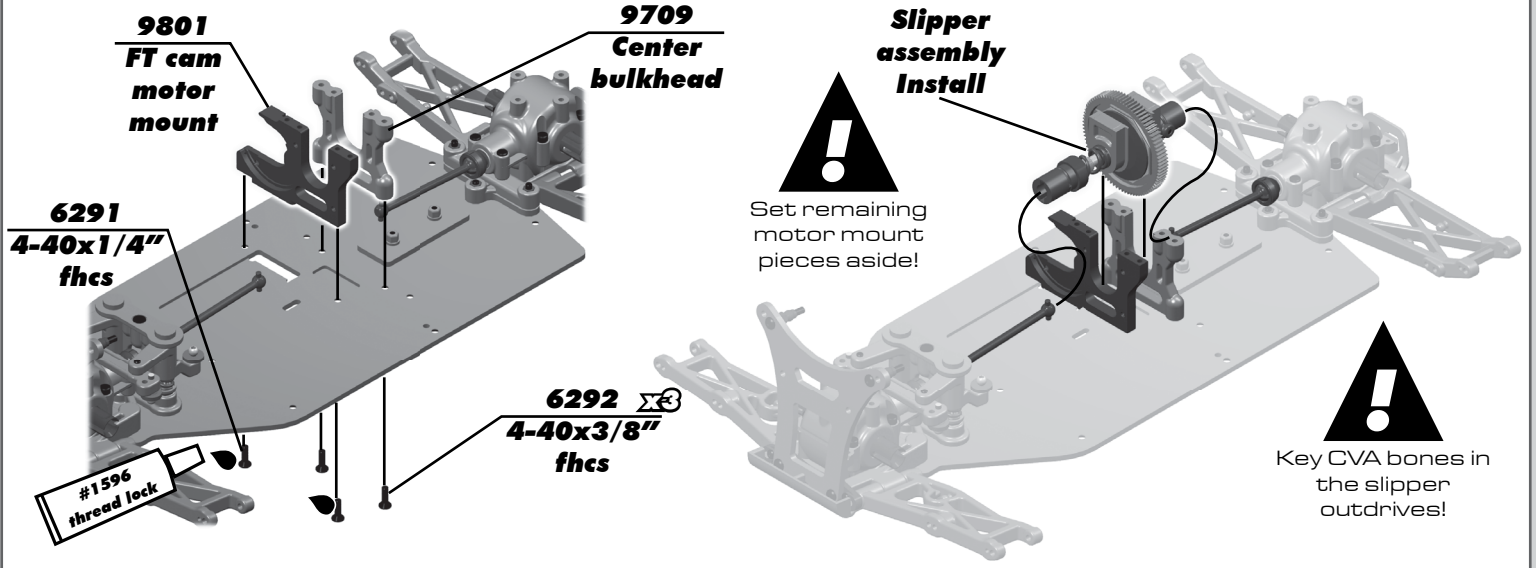
:: Slipper Build - Step 2



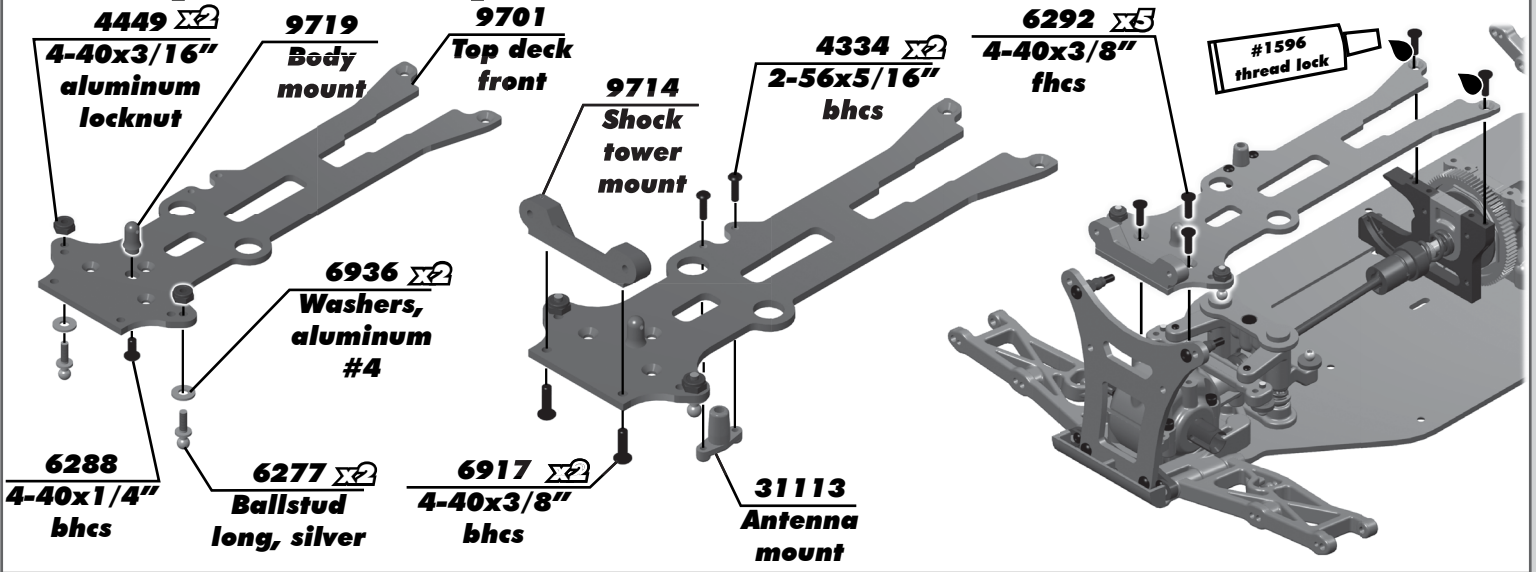
:: Slipper Build - Step 3



:: Center Bulkhead Mounts - Step 1



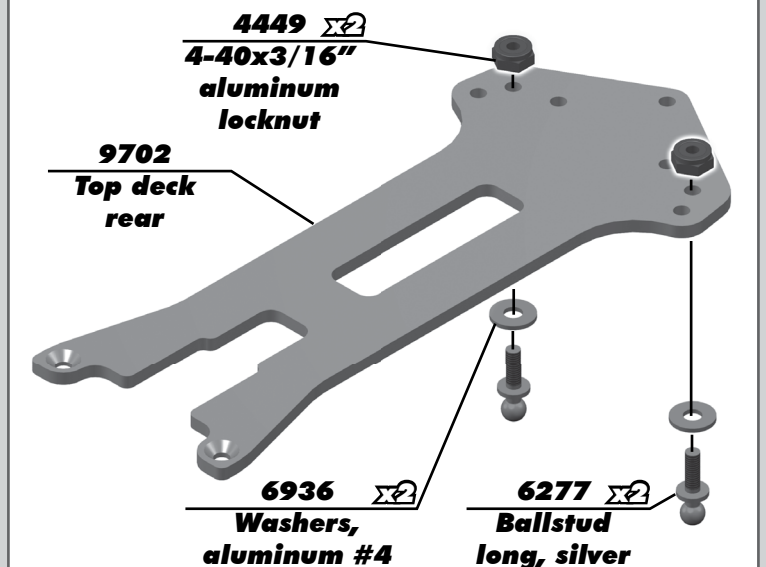
:: Front Top Deck Build - Step 1



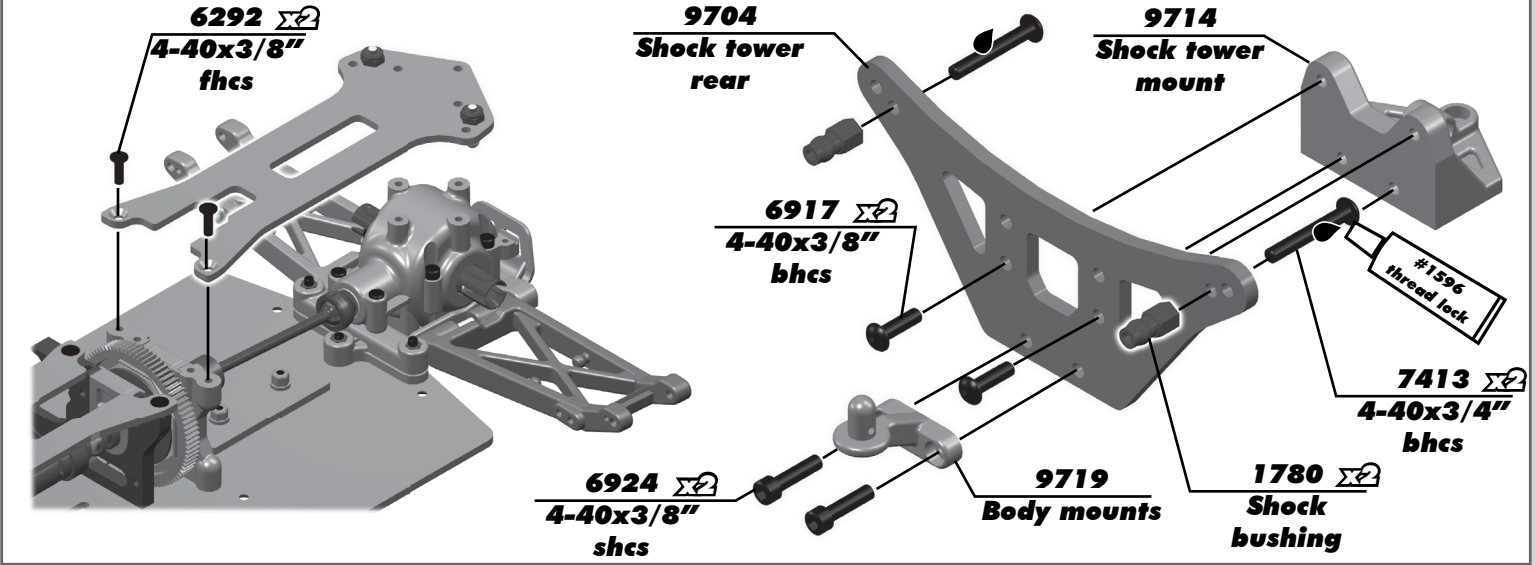
:: Front Top Deck Build - Step 2



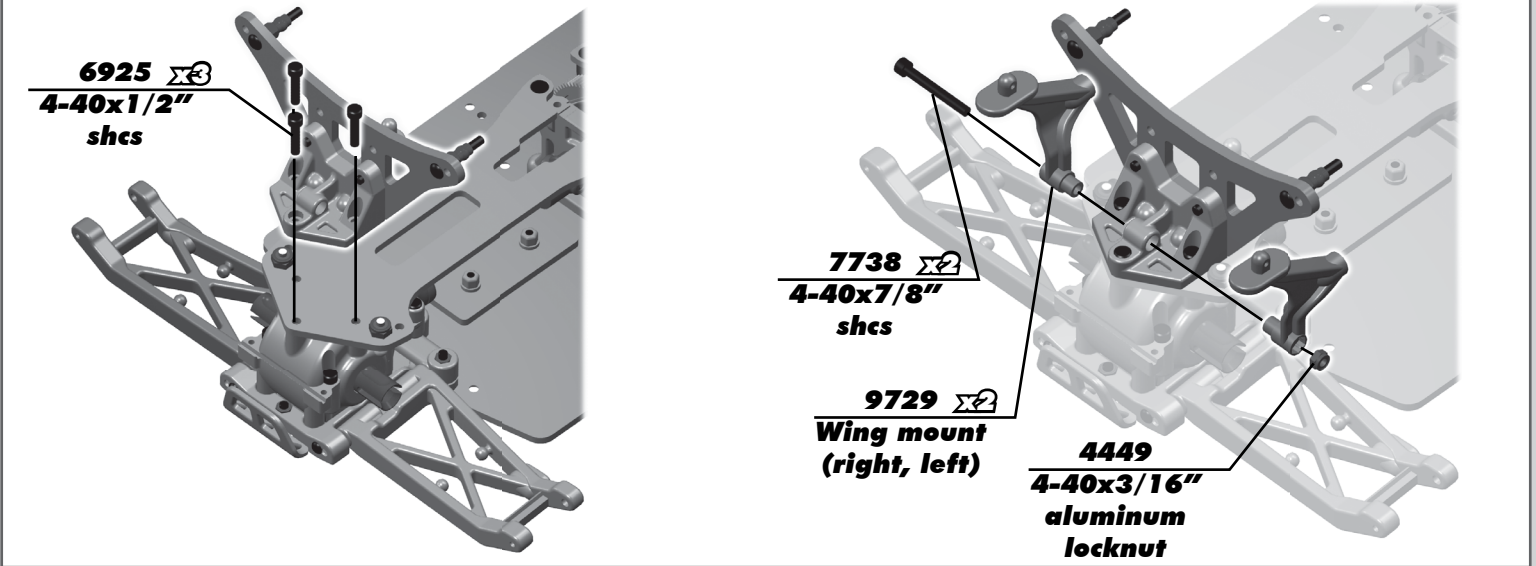
:: Rear Top Deck Build - Step 1



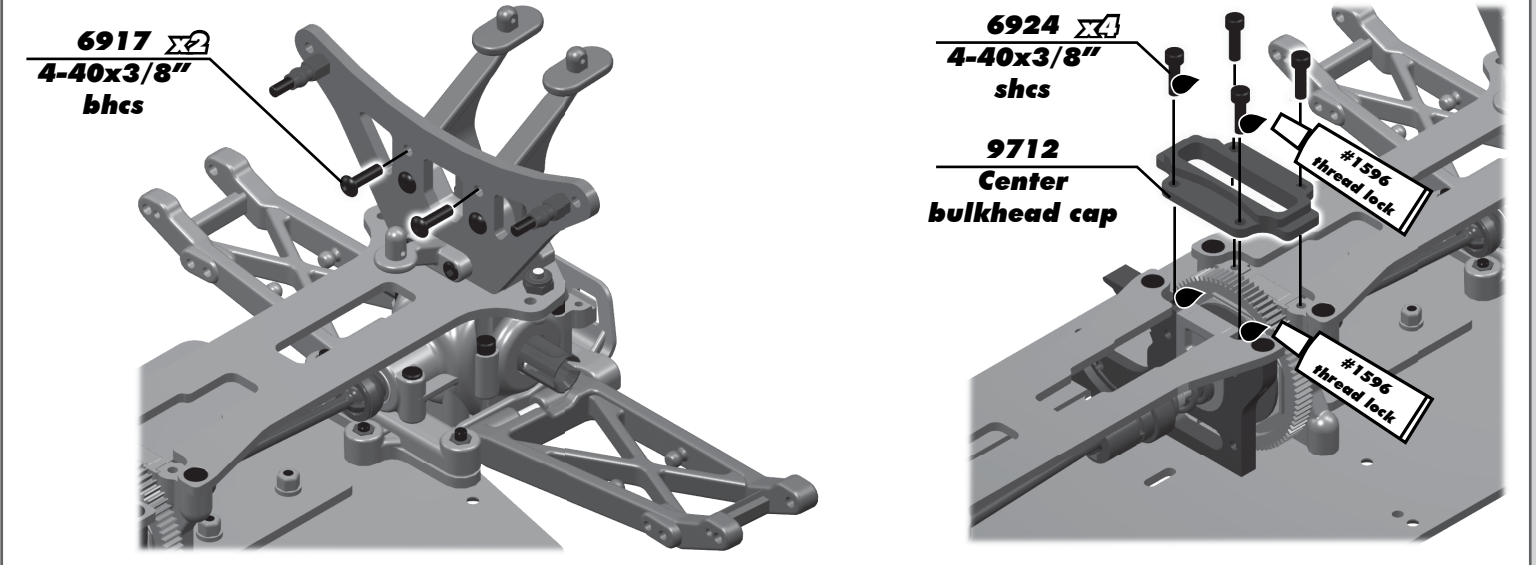
:: Rear Top Deck Build - Step 2



:: Rear Top Deck Build - Step 3



:: Rear Top Deck Build - Step 4



:: Turnbuckles Build - Step 1

Front Steering Link
 1404
 FT titanium turnbuckles
 1.77"

Front Camber Link
 1406
 FT titanium turnbuckles
 2.00"

Rear Camber Link
 1406
 FT titanium turnbuckles
 2.00"

7230
 Ball cups, large
 60mm

7230
 Ball cups, large
 64.5mm

7230
 Ball cups, large
 67mm

Steering Build x2

Front Camber Build x2

Rear Camber Build x2

:: Front CVA Build - Step 1

9747
 CVA bone front

7381
 CVA coupler

9748
 CVA axle front

7381
 CVA cross pin

7996
 CVA pin retainer

#1597
 ca glue
 1 drop!

!
 Align the gap in the pin retainer to be opposite of the CVA pin.

Build x2

:: Front Suspension Build - Step 1

6272
 Foam dust cover

6277
 Ballstud long, silver

4449
 4-40x3/16" aluminum locknut

9722
 Steering block (right, left)

9751
 Bearing crush tube

3977
 3/16x3/8" bearing

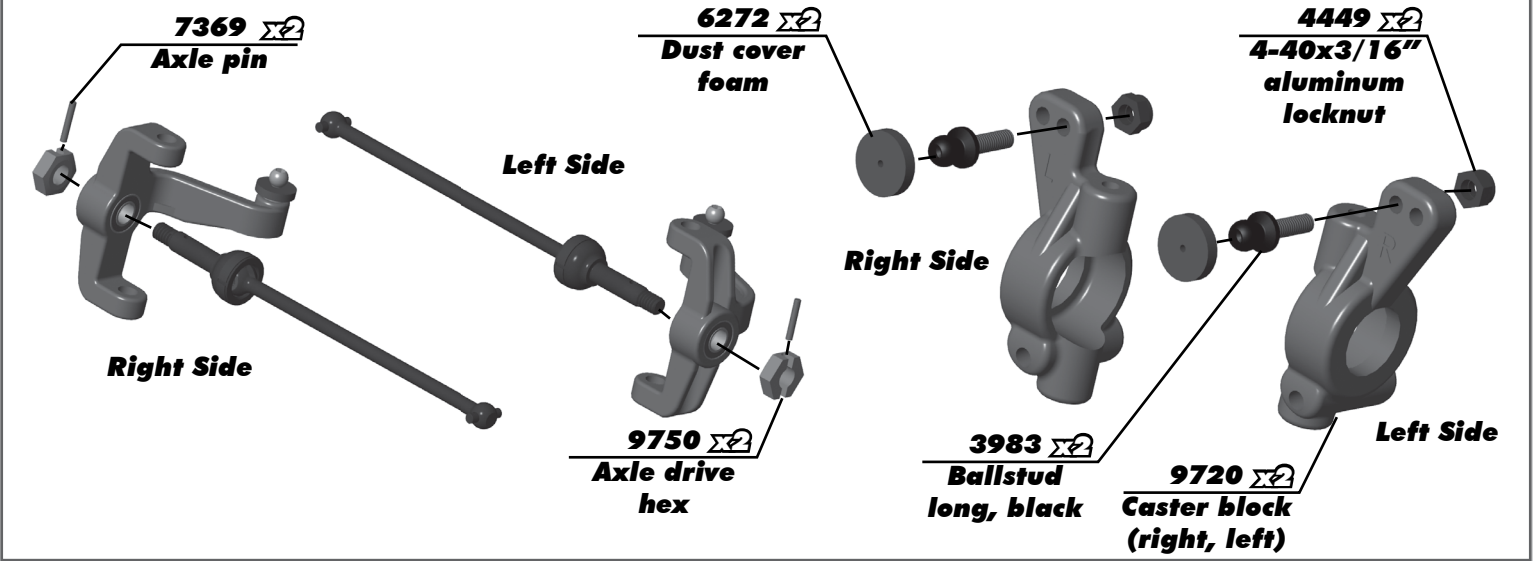
Right Side

Left Side

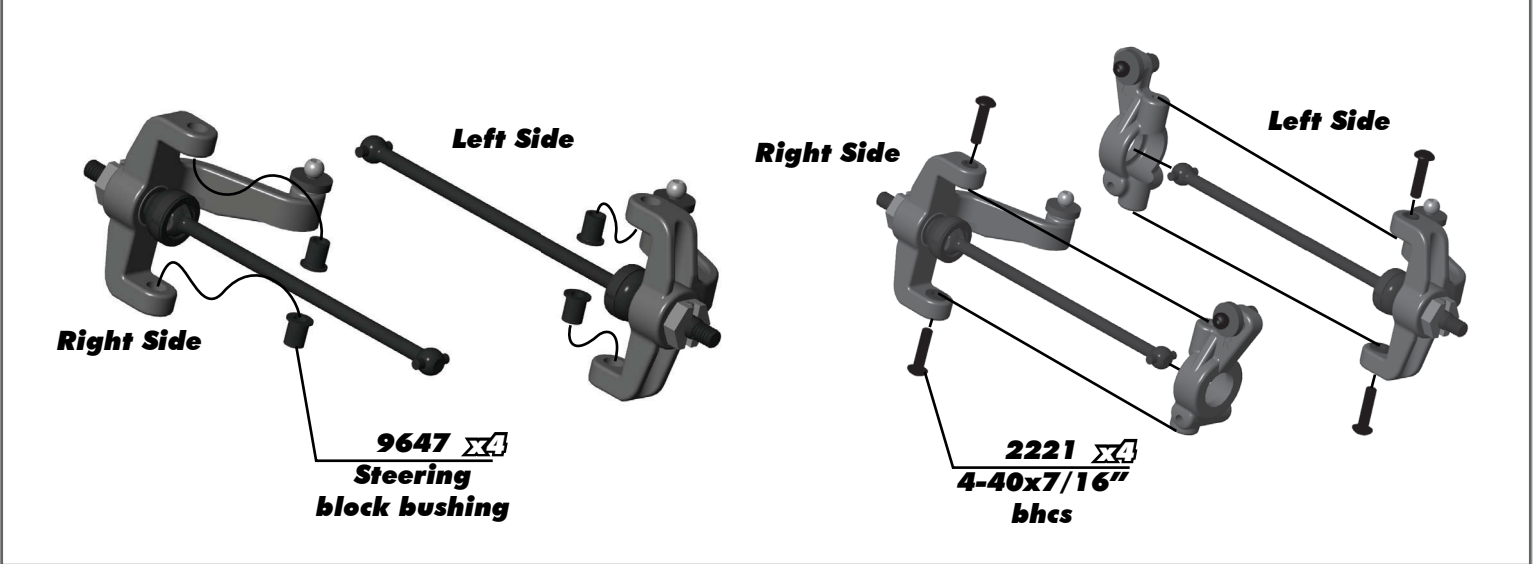
Right Side

Left Side

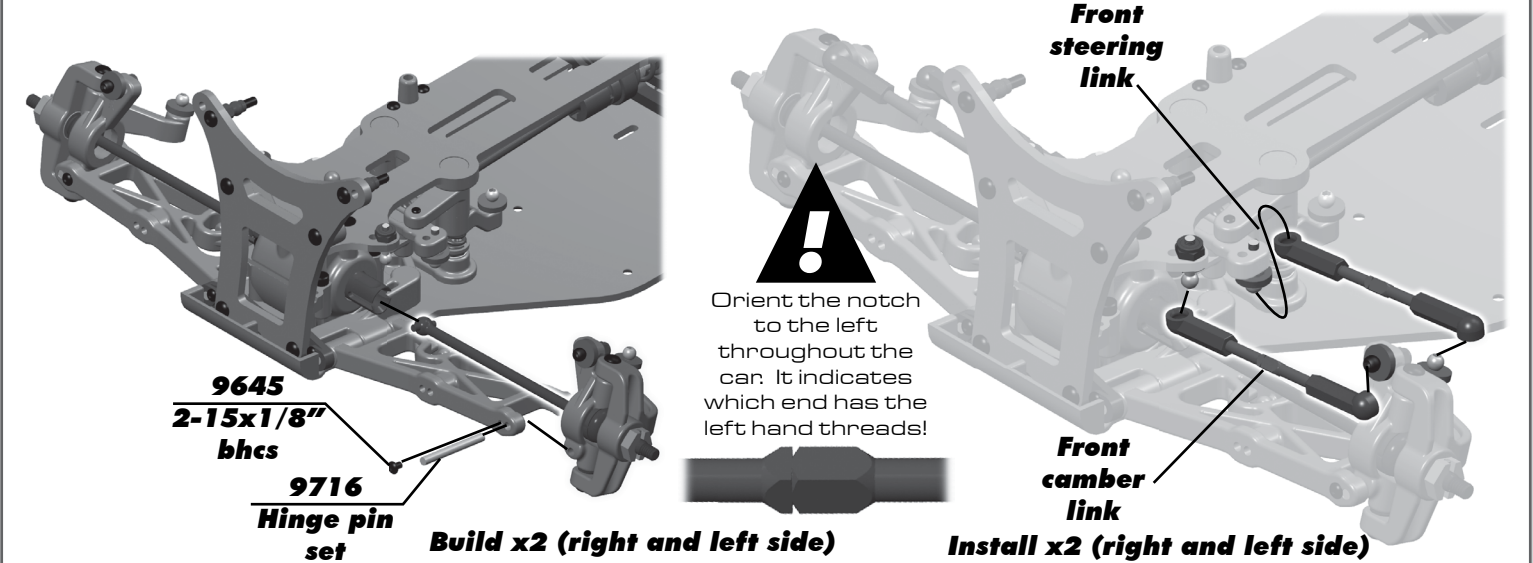
:: Front Suspension Build - Step 2



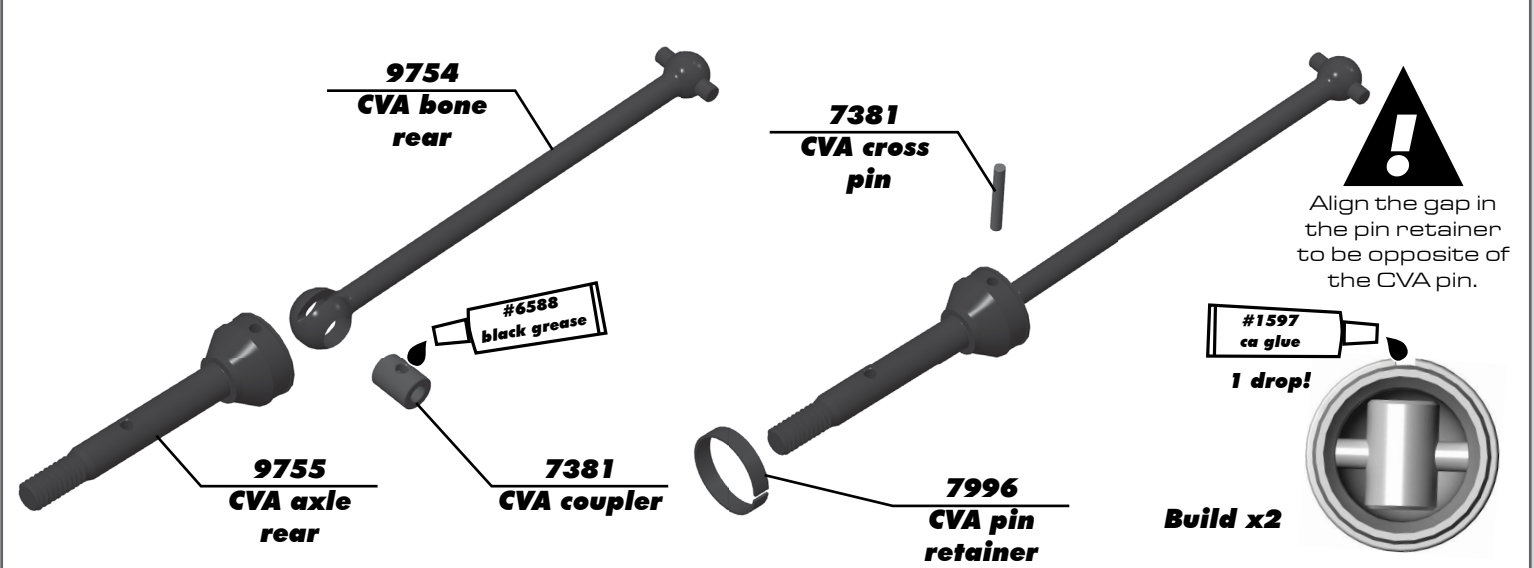
:: Front Suspension Build - Step 3



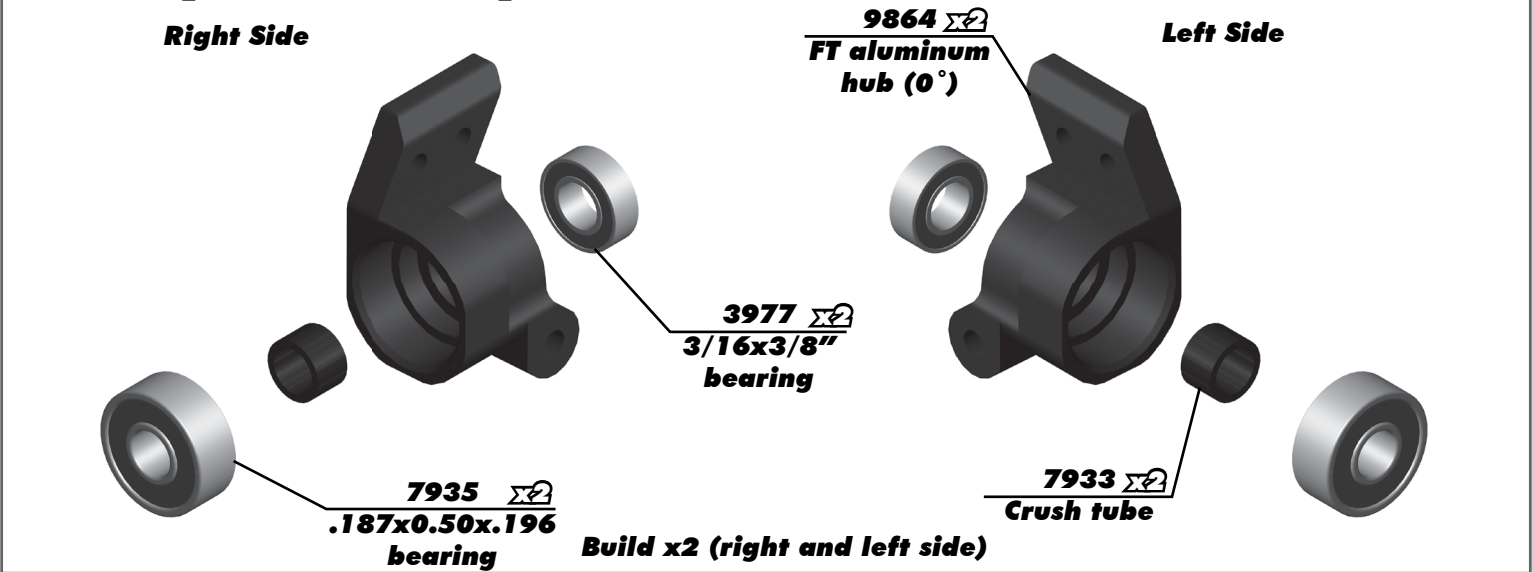
:: Front Suspension Build - Step 4



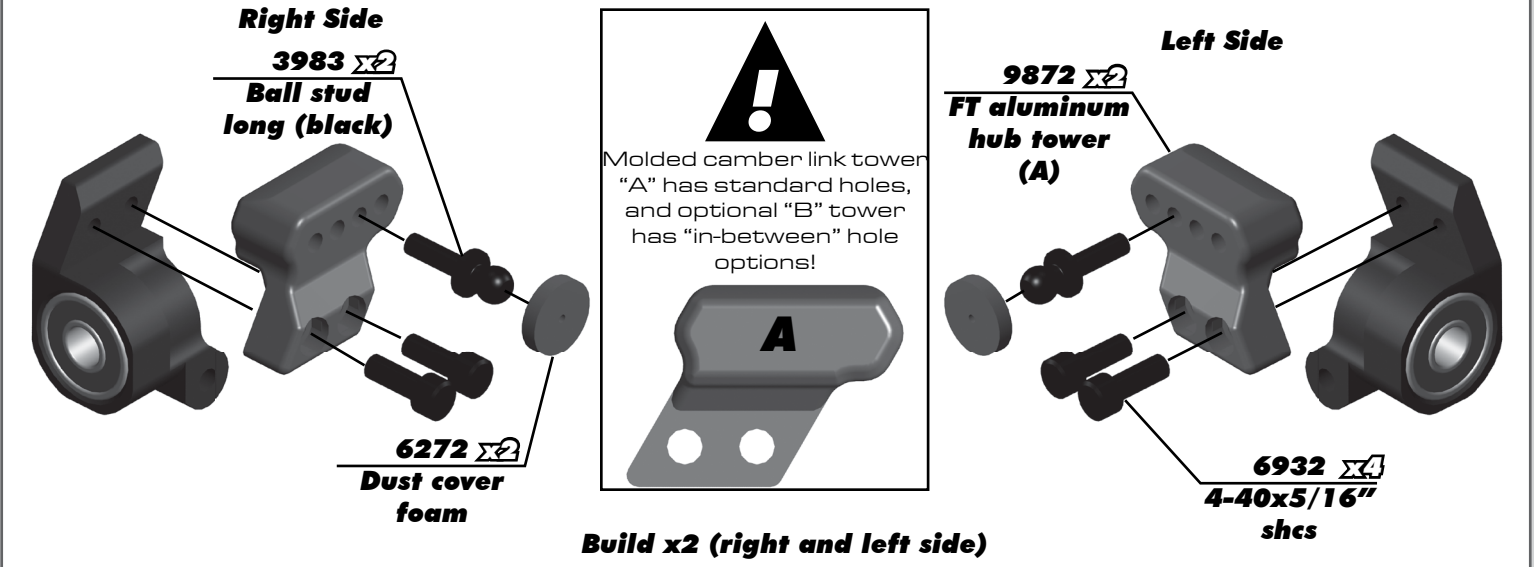
:: Rear CVA Build - Step 1



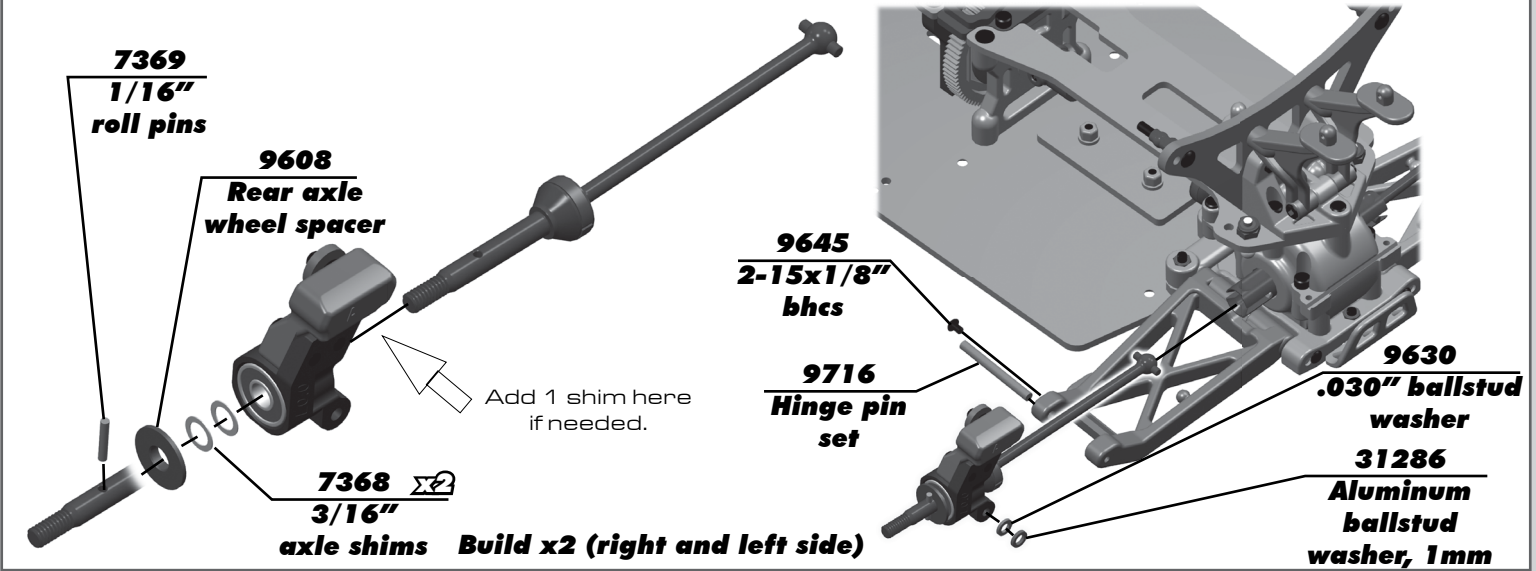
:: Rear Suspension Build - Step 1



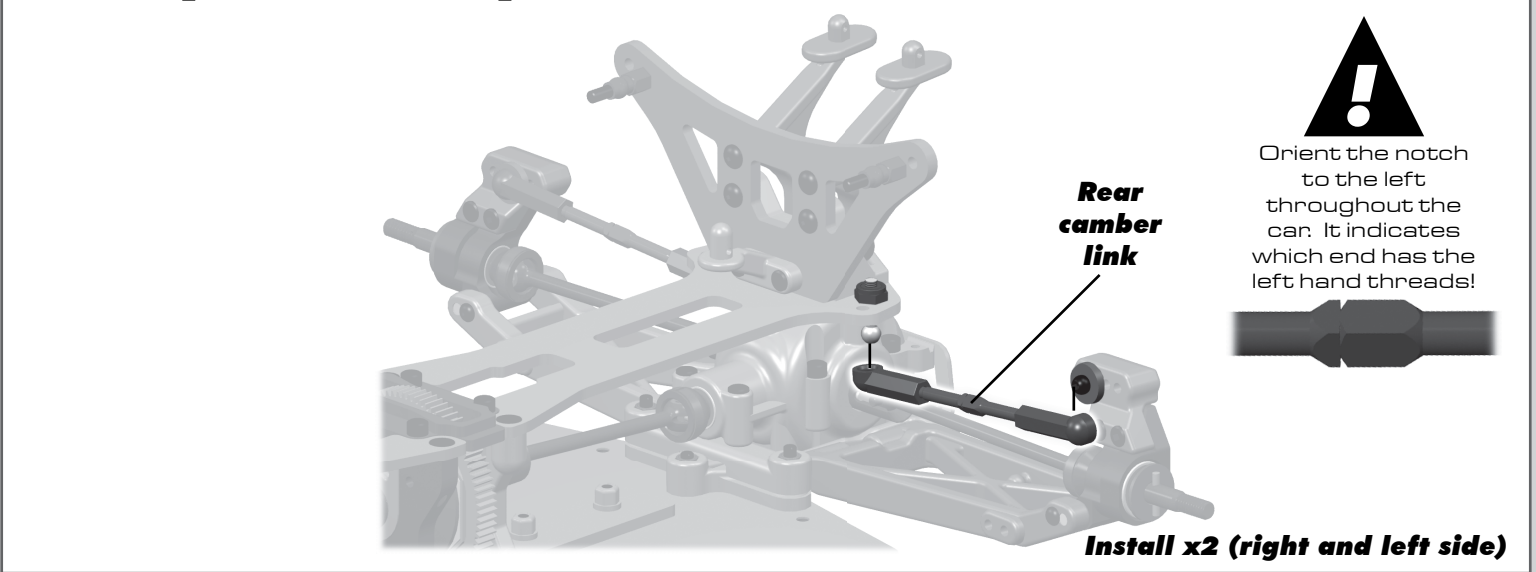
:: Rear Suspension Build - Step 2



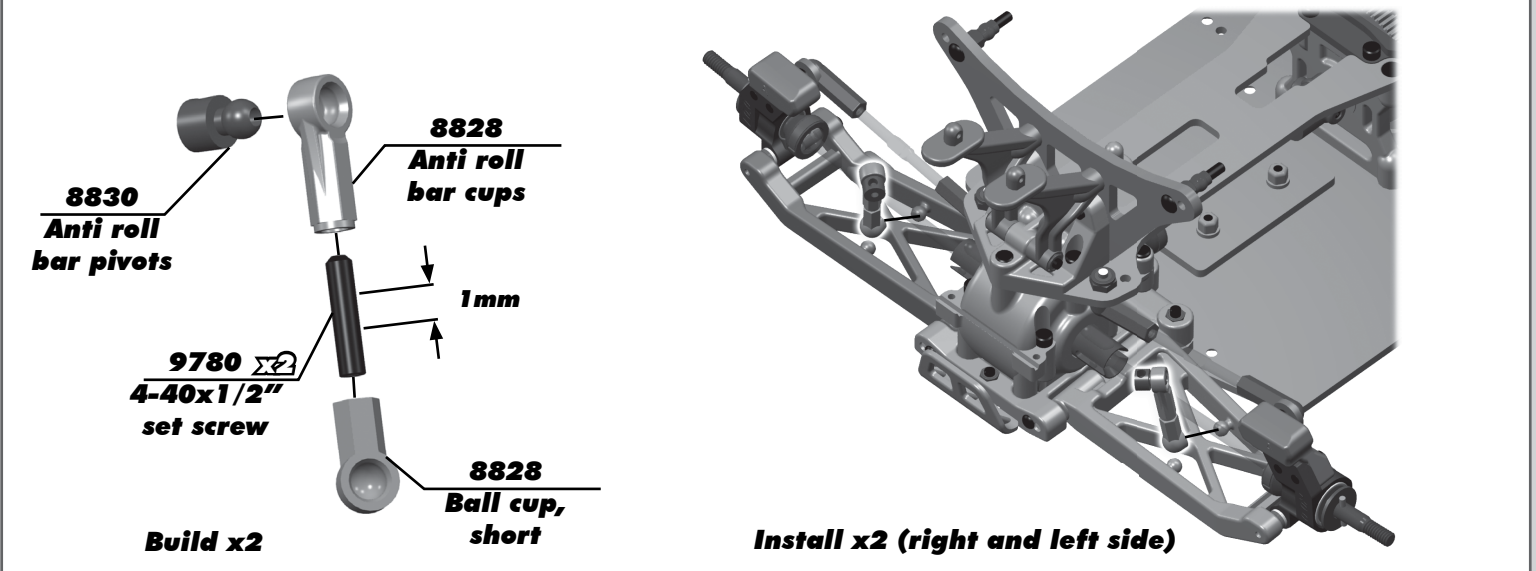
:: Rear Suspension Build - Step 3



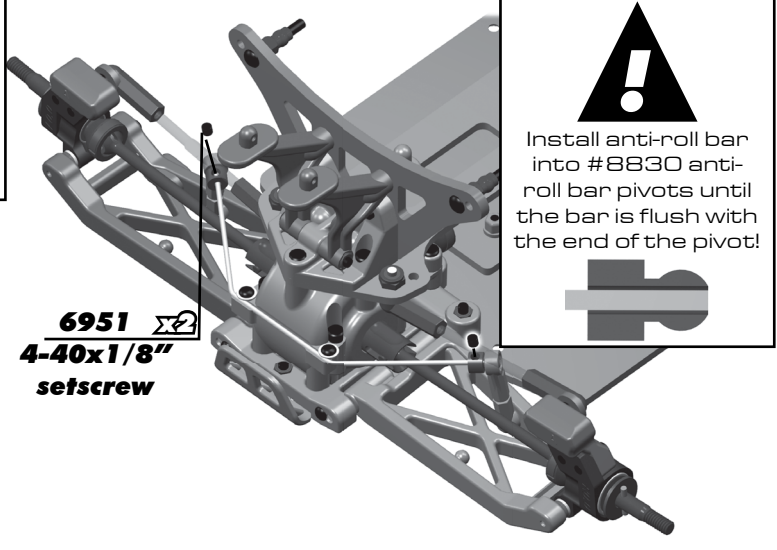
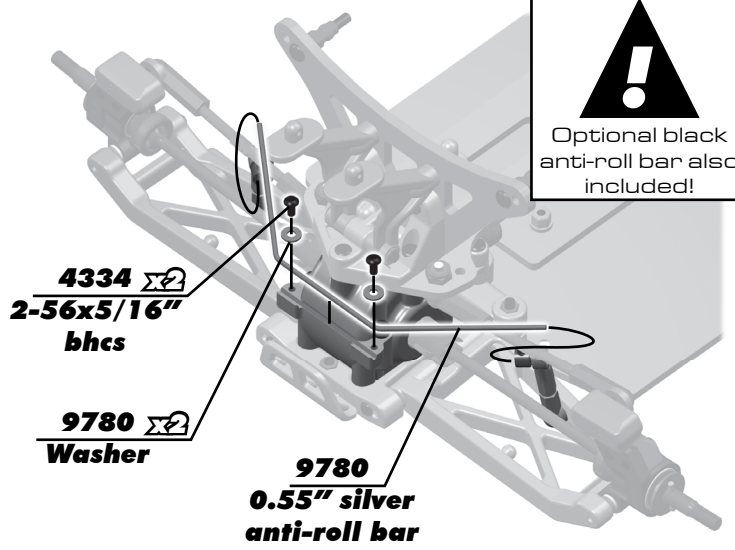
:: Rear Suspension Build - Step 4



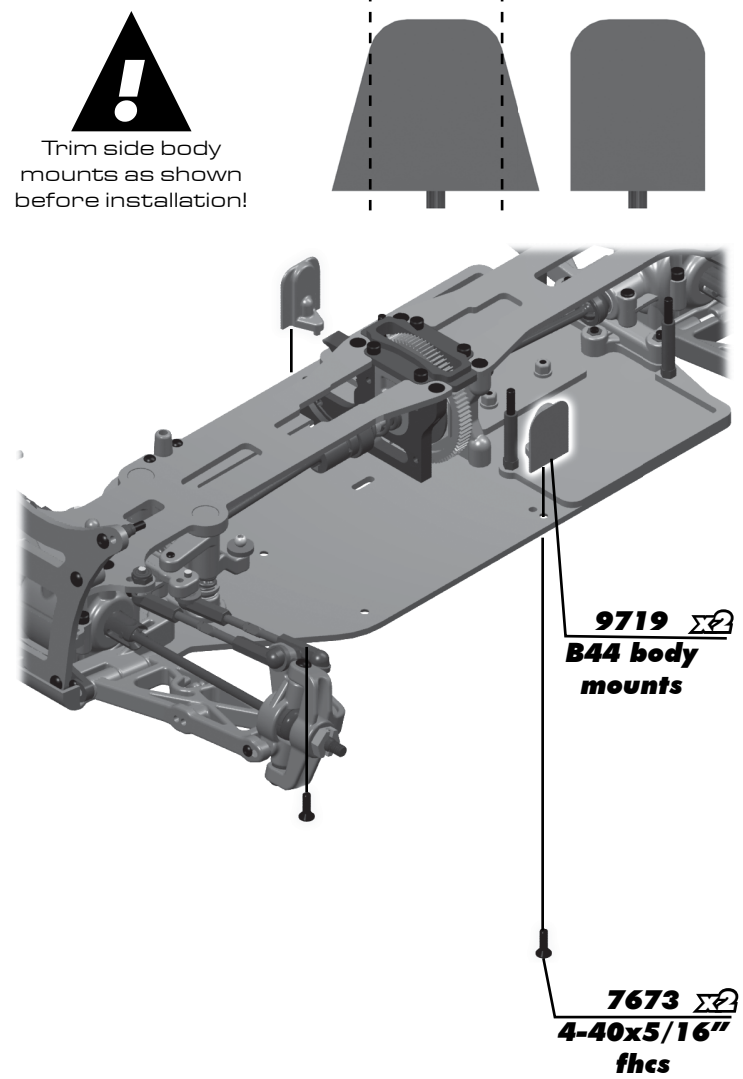
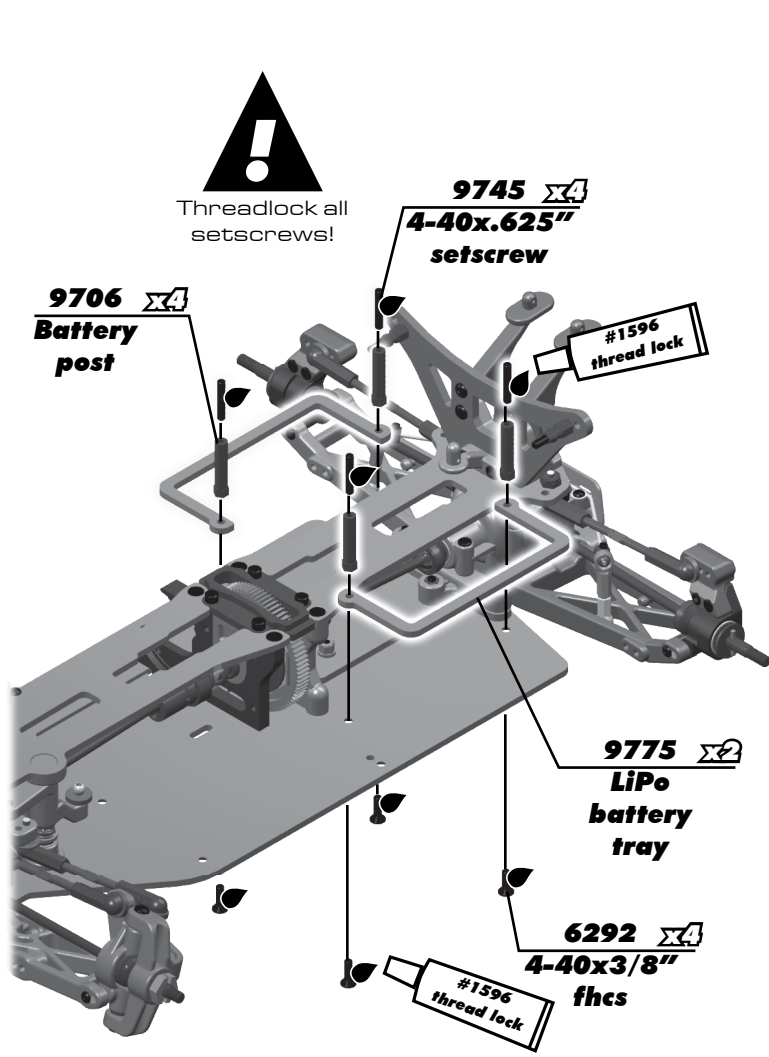
:: Rear Anti Roll Bar Build - Step 1



:: Rear Anti Roll Bar Build - Step 2



:: Battery Tray and Side Body Mounts Build - Step 1



:: Shocks Build - Step 1

6469 Shock cap o-ring
7475 Front shock body 0.89"
7484 Shock internal spacer
5407 O-ring
#1105 green slime
7484 Lower shock seal cap
Front, Build x2

6469 Shock cap o-ring
7479 Rear shock body 1.18"
7484 Shock internal spacer
5407 O-ring
#1105 green slime
7484 Lower shock seal cap
Rear, Build x2

6465 Shock piston (#2)
9723 FT shock shaft gold 0.80"
5407 O-ring
6299 e-clip
Front, Build x2

6465 Shock piston (#1)
6417 FT shock shaft gold 1.02"
6299 e-clip
Rear, Build x2

:: Shocks Build - Step 2

4187 .030 nylon washer
Front, Build x2

4187 .030 nylon washer
Rear, Build x2

1777 Shock eyelet
1777 FT shock pivot ball
Front, Build x2

1777 Shock eyelet
1777 FT shock pivot ball
Rear, Build x2

:: Shocks Build - Step 3

Shock oil
Front Shock: 35 wt
Rear Shock: 30 wt

6443 Bleeder shock cap (molded)

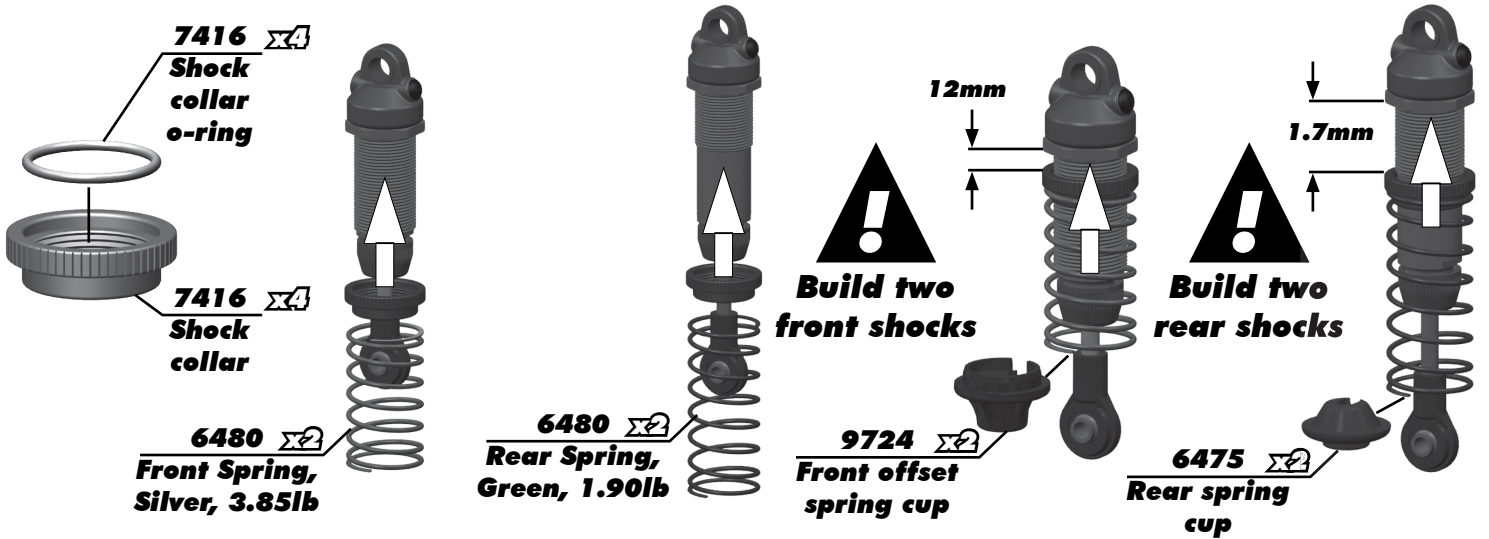
9645 2-56x1/8" bhcs

Step 2-3 **Step 4-5** **Step 6-7** **Step 8** **Step 9-10**

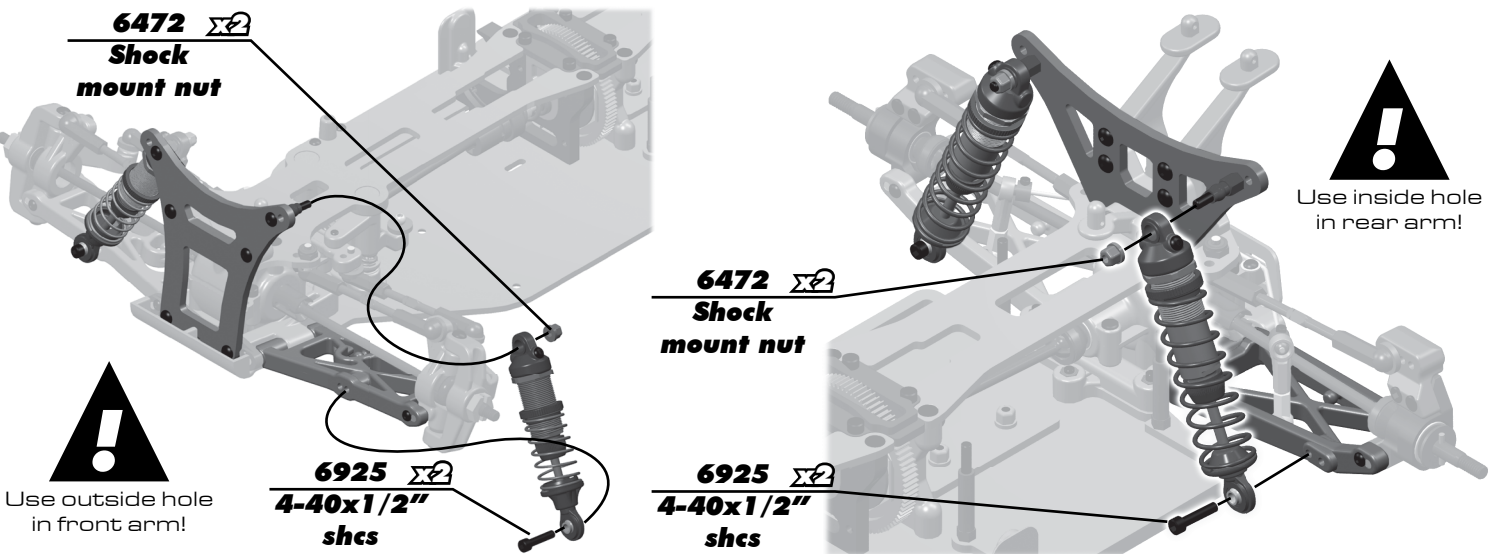
Shock Bleeding Steps:

1. Before assembly, get each bleed screw and thread it 1-2 turns into the shock cap. This will make installation easier when you are bleeding your shocks.
2. Pull shock shaft down.
3. Fill shock body 3/4 full with silicone shock fluid.
4. Slowly move the shock shaft up and down to remove air from under the piston.
5. Wait for bubbles to come to surface.
6. Fill shock body to top with silicone shock fluid.
7. Place a drop of oil in the cap and on cap threads.
8. Install cap (without bleed screw) and tighten completely.
9. Slowly compress shaft all the way to bleed excess silicone shock fluid out the hole in the cap (use rag around shock to catch excess fluid).
10. Install 2-56 button head screw until snug while shaft is fully compressed (recommend using a high quality .050" wrench such as Factory Team #1542).

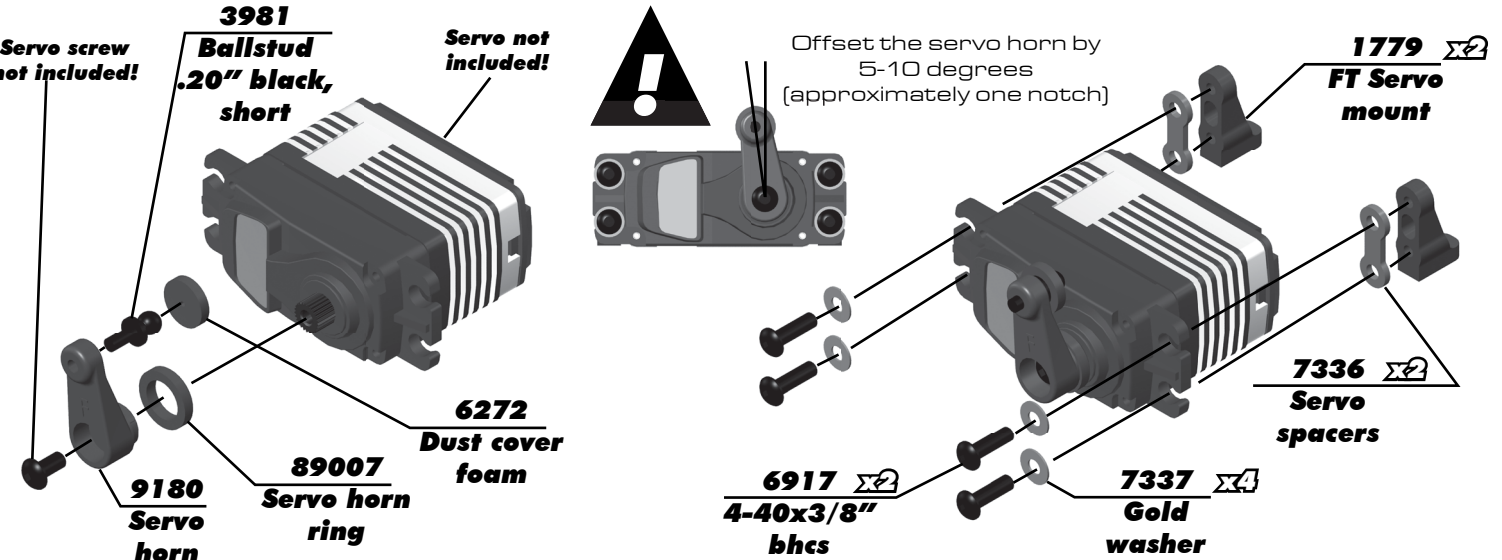
:: Shocks Build - Step 4



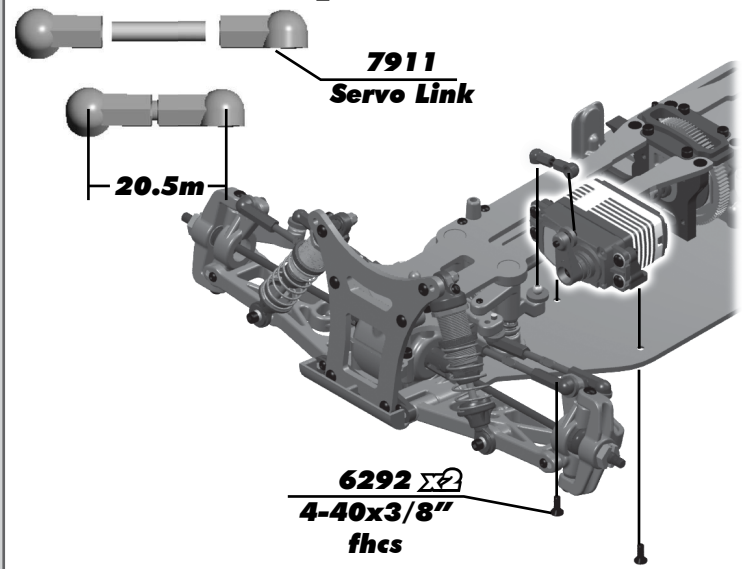
:: Shocks Build - Step 5



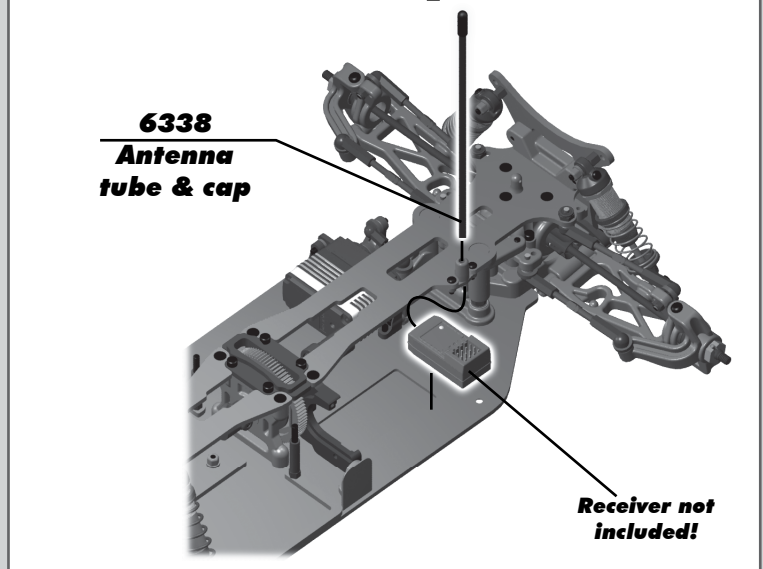
:: Servo Build - Step 1



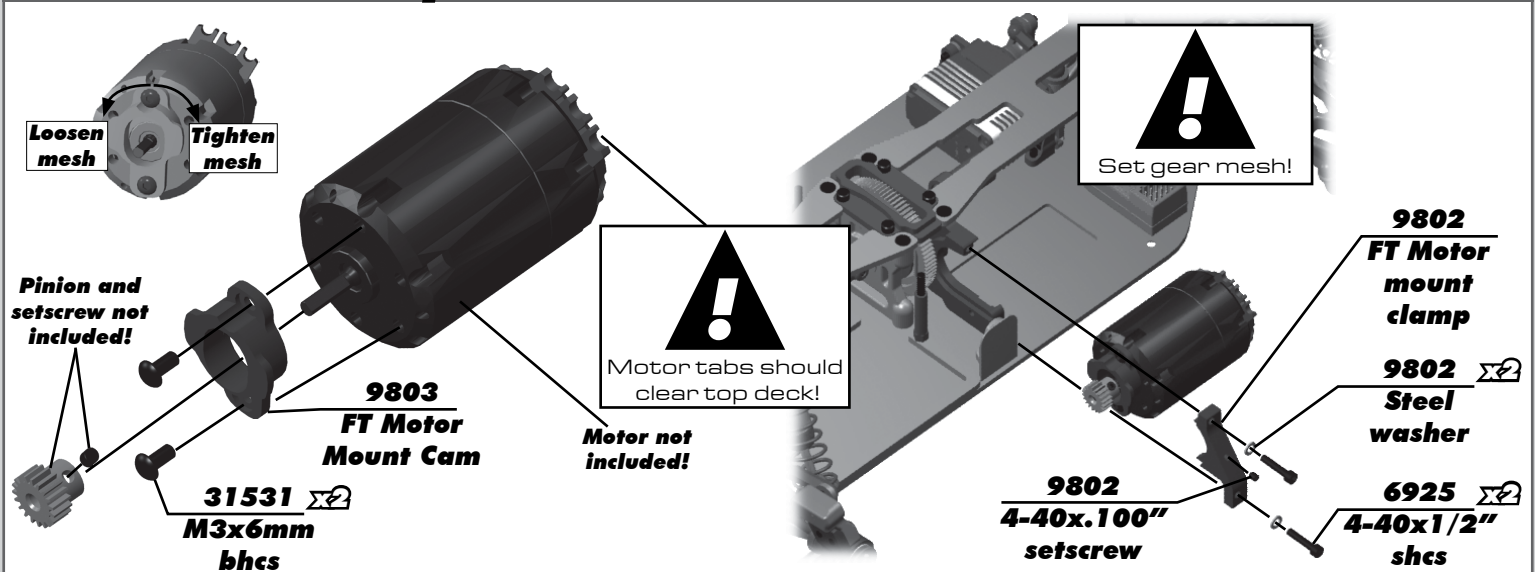
:: Servo Build - Step 2



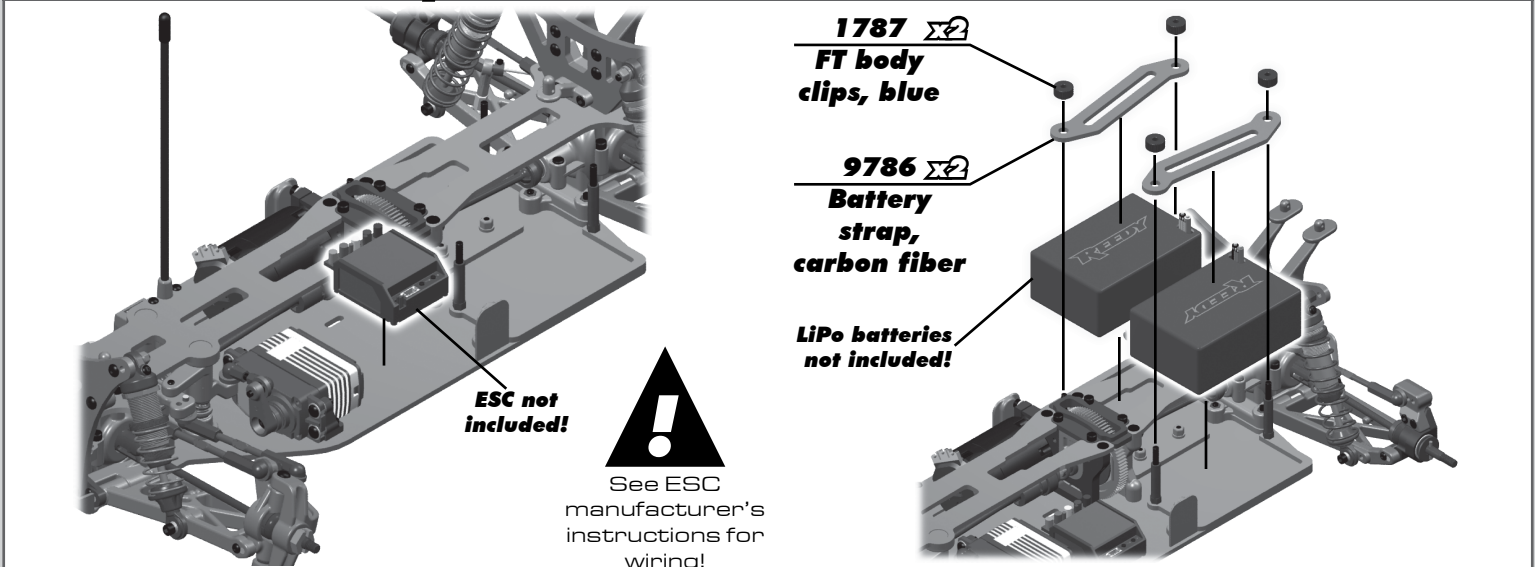
:: Electronics Install - Step 1



:: Electronics Install - Step 2



:: Electronics Install - Step 3



:: Body, Wheels, Tires Install - Step 1

9769 $\Sigma 2$
Proline Hoeshot 2.0
M3 compound
w/ insert, front

9767 $\Sigma 2$
2.2" Wheel,
front

9590 $\Sigma 2$
Proline Hoeshot 2.0
M3 compound
w/ insert, rear

9589 $\Sigma 2$
2.2" Wheel,
rear

!
Carefully apply
tire adhesive to
the tire bead on
both sides.
Do one side at a
time, allow it to
dry before gluing
the other side!

#1597
ca glue

:: Body, Wheels, Tires Install - Step 2

6953 $\Sigma 2$
8-32
LP steel
locknut

6952 $\Sigma 2$
8-32
locknut,
steel

:: Body, Wheels, Tires Install - Step 2

Punisher
undertray
by Jconcepts

Add hole

Add hole

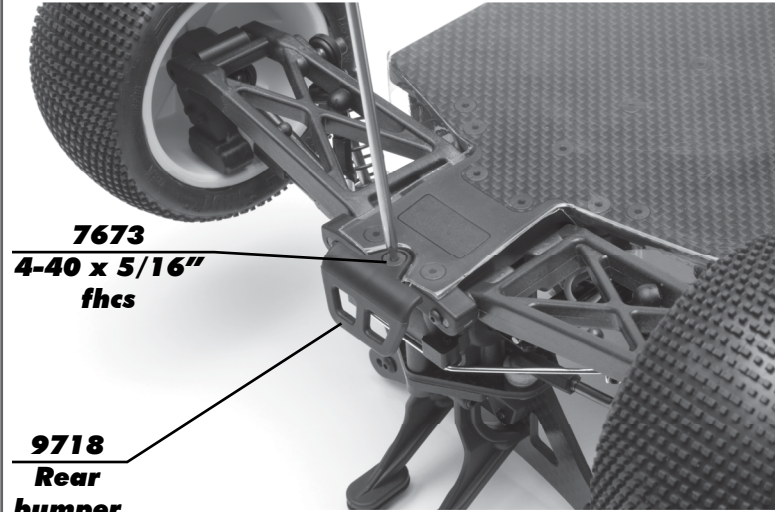
Add hole

3mm or .125" holes on marks

!
Trim along
lines!

!
Slide undertray
in between the
front bumper and
the chassis!

:: Body, Wheels, Tires Install - Step 3



7673
4-40 x 5/16"
fhcs

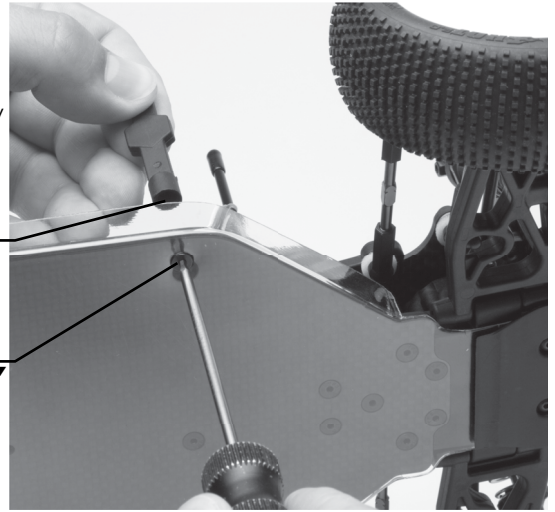
9718
Rear
bumper



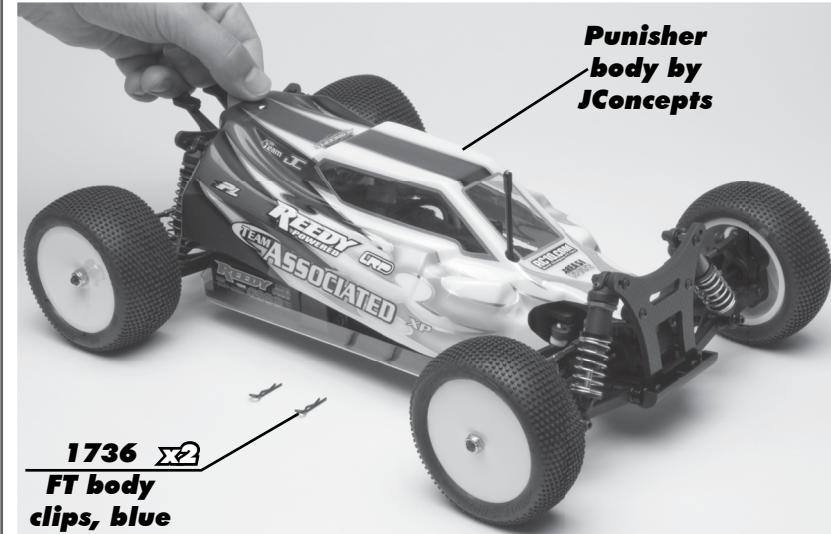
Use the screw for the servo mount for the opposite side!

6472
nylon nut


7673
4-40 x 5/16"
fhcs



:: Body, Wheels, Tires Install - Step 4



Punisher
body by
JConcepts

1736 
FT body
clips, blue


Painting Tips:

Body :
Your B44.1 FT comes with a clear polycarbonate body. You will need to prep the body before you can paint it. Wash the inside thoroughly with warm water and liquid detergent. Dry the body using a clean, soft, lint-free cloth. Use the supplied window masks to cover the windows from the **INSIDE** of the body (RC cars get painted from the inside). Using high quality masking tape, apply tape to the inside of the body to create a design. Spray (either rattle can or airbrush) the paint to the inside of the body (preferably dark colors first, lighter colors last).

NOTE: use **ONLY** paint that is recommended for use with (polycarbonate) plastics. If you don't, you can destroy the plastic body!!!!).

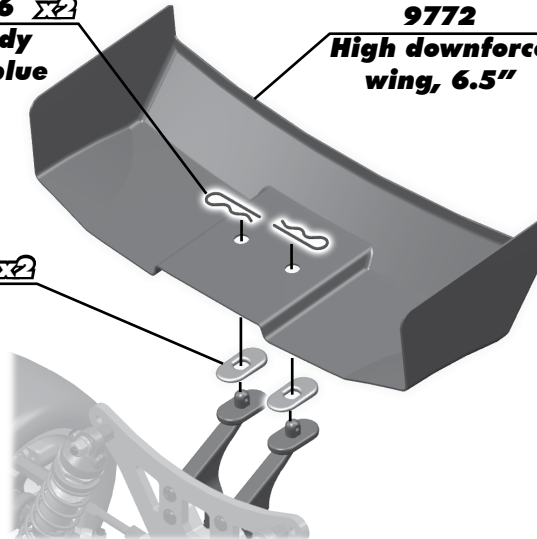
After painting, cut the body along the trim lines. Make sure to drill or use a body reamer to make the holes for the body mounts and antenna!

:: Body, Wheels, Tires Install - Step 5

1736 
FT body
clips, blue

9772
High downforce
wing, 6.5"

9729 
Wing
shims



:: Tuning Tips

Tips for Beginners:

Before making any changes to the standard setup, make sure you can get around the track without crashing. Changes to your vehicle will not be beneficial if you can't stay on the track. Your goal is consistent laps.

Once you can get around the track consistently, start tuning your vehicle. Make only ONE adjustment at a time, testing it before making another change. If the result of your adjustment is a faster lap, mark the change on the included setup sheet (make additional copies of the sheet before writing on it). If your adjustment results in a slower lap, revert back to the previous setup and try another change.

When you are satisfied with your vehicle, fill in the setup sheet thoroughly and file it away. Use this as a guide for future track days or conditions.

Differential:

Adjust the differential (AKA 'diff' for short) as noted in the assembly instructions. Adjusting the rear diff is not meant to be a tuning option. If you can hear the diff making a "barking" or "chirping" sound on jump landings or under acceleration, either your diff is set too loose or your slipper clutch is set too tight. The front diff can go out 1/16" turn to get more steering.

Slipper Clutch:

The assembly instructions give you a base setting for your clutch. To preserve the differentials, always start with the slipper on the loose side and slowly tighten the adjustment nut until it is set. To adjust the slipper, remove the body and insert a 2mm (or 5/64") hex wrench through the center of the top deck (or through the bottom slot in the chassis). Then, grab both of the rear wheels and rotate forwards to tighten and backwards to loosen. As you spin the wheels, you'll feel the motor click every 1/4 of a wheel revolution. At the track, tighten or loosen the nut in 2 click increments until you hear only a faint slipping sound for 1-2 feet on takeoffs.

Front Camber Link Length & Number of Washers Under Ballstud:

Changing the length of the camber link is considered a bigger step than adjusting the ballstud height. Typically shortening the camber link (or lowering the ballstud) will give the front end less roll and quicken steering response. Lengthening the camber link (or raising the ballstud) will give the front more roll and slower steering response. To raise the ballstud, remove washers from between the ballstud and upper deck.

Front Camber:

A good starting camber setting is -1 degrees. Use the included #1719 camber gage to set your camber. Positive camber, where the top of the tire is leaning out, is typically not recommended.

Front Toe-In:

Zero degree toe-in (tires pointing straight forward) is the setting that should be used in almost all track conditions. Occasionally you can increase turn in by adding a little toe-out (front of tires point slightly out). Front toe in is not a typical tuning adjustment used by The Team.

Front Arm Hole:

The kit silver springs and outside front arm hole will work best in most cases. Moving the shock to the inside hole on the front arm requires you to add another down travel limiter to the front shocks, so there should be two down travel limiters in each shock. You should also change to a stiffer spring to account for the difference in leverage on the shock.

Front Ride Height:

The standard front ride height setting is 21 mm. Check the ride height by lifting up the entire car about 8-12 inches off the bench and drop it. After the suspension "settles" into place, raise or lower the shock collars as necessary until there is 21 mm gap from the bottom of the chassis to the ground.

Anti-Squat:

Anti-squat denotes the angle of the rear arms relative to the ground. Zero anti-squat means that the rear arms are flat, parallel with the ground. The kit setting is 2 degrees, and can be reduced to 1 degree by removing the included #4 washer underneath the arm mount. You can add another #4 washer so that there is two washers underneath the arm mount to get 3 degrees of anti-squat. Adding anti-squat tends to make the car "rotate" more in corners, but doesn't handle as well through the bumps. 1 degree will be better in bumpy sections.

Rear Camber Link Length & # of Washers under Ballstud:

Changing the length of the camber link is considered a bigger step than adjusting the ballstud height on the rear chassis brace. Typically shortening the camber link (or lowering the ballstud) will give the rear end less roll and the car will tend to accelerate or "square up" better. Lengthening the camber link (or raising the ballstud) will give the rear more roll and more cornering grip. To raise the ballstud, remove washers from in-between the ballstud and upper deck. You should normally use the kit setting and only adjust the ballstud height.

:: Tuning Tips (cont.)

Rear Hub Spacing:

You have 3 options for rear hub spacing, FORWARD, MIDDLE, & BACK. The kit setting is FORWARD, which provides the most rear traction and will be used most often. For improved handling in bumps or rhythm sections, try moving the hubs to MIDDLE or BACK. This can also make the car handle better in 180° turns.

Rear Anti-Roll Bar:

The #9780 B44 anti-roll bar kit (a.k.a. swaybar) allows you to add roll resistance to the rear end with minimal effect on handling over bumps and jumps. The anti-roll bar is very helpful when trying to tune the suspension. The black bar is the softest (.047" wire) and the silver (.055" wire) is the standard. It is popular to run a rear anti-roll bar in 4wd to help the car square up more out of turns.

Rear Arm Hole:

The inner hole in the arm tends to work the best over the bumps and jump sections. Changing to the outer hole in the rear arm will tend to make the rear end feel more "locked in" and less responsive. Making this change to the outer hole requires you to remove the downtravel limiters from the rear shocks.

Rear Ride Height:

The rear ride height setting you should use most often is 20 mm (the rear arms appear level when looking from the rear). Check the ride height by lifting up the entire car about 8-12 inches off the bench and drop it. After the suspension "settles" into place, raise or lower the shock collars as necessary until there is 20 mm gap from the bottom of the chassis to the ground. Note: Check the ride height gap at the rear end of the carbon fiber chassis, not at the rear chassis plate which is raised for more ground clearance. The chassis should look level from the side.

Battery Setup:

The B44.1 is designed to use LiPo saddle pack batteries. Follow your ESC and battery manufacturer's recommendations for wiring.

Setup Sheets:

Most often, the best way to get your car handling right is to go to our website www.rc10.com and click on the links to Setup Sheets, then RC10B44.1 setups. Our team of professional drivers help develop these setups at National events. Also, most drivers have a "base" setup that they use as a starting point for every event. Try running some of our base setups OR look for track conditions and tires that are similar to your local track and mimic that setup. Remember, each adjustment has a purpose, so copy everything from the setup sheet and then make adjustments based on the recommendations in this manual.

Steering Servo Chart

9180
servo arm 

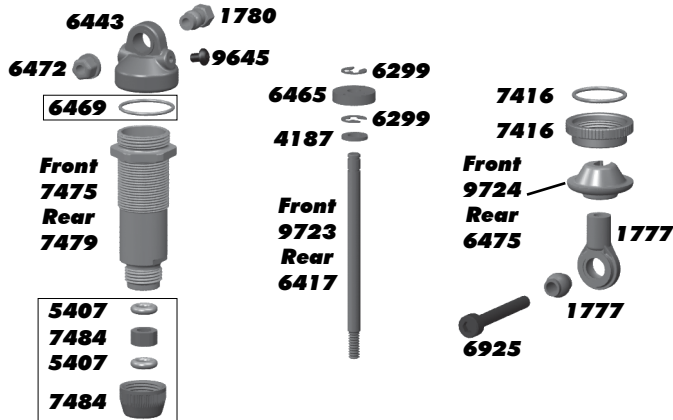
Associated	XP-1015, XP-1313	F
Airtronics	94102	A
Airtronics	94738, 94157, 94158, 94257, 94258, 94357, 94358, 94452, 94453, 94751, 94755	A
Hitec	HS-5625MG, HS-5645MG, HS625MG, HS645MG	H
Hitec	HS-322HD, HS-325HB, HS-965, HS-985MG, HS-5965, HS-5985MG, HS-425BB, HS-422	H
JR	Z4725, Z4750, Z2750, Z8450, Z8550, NES-4750	J
JR	Z250, Z550	J
Futaba	S9204, S9250, S9450, S148	F
Futaba	S3003, S9202, S9101	F
Futaba	S9404	F
KO	PS-401, PS-2001, PS-2004, PS-2015, PS-2173, PS-2174, PS-2123, PS-2143, PS-2144	J

* Not all servo's are listed

* Make sure servo linkage clears the servo through full travel in both directions. Use #7336 servo spacers to adjust the servos position

:: Shocks

1777	FT Blue Aluminum Shock Pivot Ball/Eyelet	4
1780	FT Blue Aluminum Shock Bushing, std	4
4187	.030 Nylon Washer	12
5407	Red O-Rings	8
6299	1/8" E-Clips	12
6417	FT Shock Shaft Gold 1.02"	1
6443	Bleeder Shock Caps 1/10 w/screws	4
6465	Shock Pistons, 4 each of #1,2, & 3	1
6469	Black Shock Cap O-Ring	4
6472	Shock Mount Nut	4
6475	Spring Cup (used on rear)	4
6925	4-40 x 1/2" SHCS	6
7474	V2 Threaded Shocks 0.89" Complete	2
7475	V2 Threaded Shock Bodies 0.89"	2
7478	V2 Threaded Shocks 1.18" Complete	2
7479	V2 Threaded Shock Bodies 1.18"	2
7484	V2 1/10th Shocks Rebuild Kit (rebuilds 4)	1
9645	2-56 x 1/8" bhcs	6
9723	FT Shock Shaft Gold 0.80"	1
9724	Offset Spring Cups (used on front)	2



:: Shock Springs

1581	Factory Team Buggy Front Spring Kit. 1 pair of green, silver, blue, black front springs	1
1582	Factory Team Truck Rear Spring Kit. 1 pair of green, silver, blue, gold, red rear springs	1
6493	Front Buggy Spring Brown 2.80 lb (Kit)	Pr.
6494	Front Buggy Spring Green 3.50 lb	Pr.
6496	Front Buggy Spring Silver 3.85 lb	Pr.
6497	Front Buggy Spring Blue 4.20 lb	Pr.
8232	Front Buggy Spring Black 3.20 lb	Pr.
6478	Rear Spring Silver 2.10 lb	Pr.
6480	Rear Spring Green 1.90 lb (Kit)	Pr.
6481	Rear Spring Black 1.74 lb	Pr.
6482	Rear Spring Gray 2.33 lb	Pr.
7434	Rear Spring Blue 2.55 lb	Pr.
7435	Rear Spring Gold 2.75 lb	Pr.
7436	Rear Spring Red 2.95 lb	Pr.



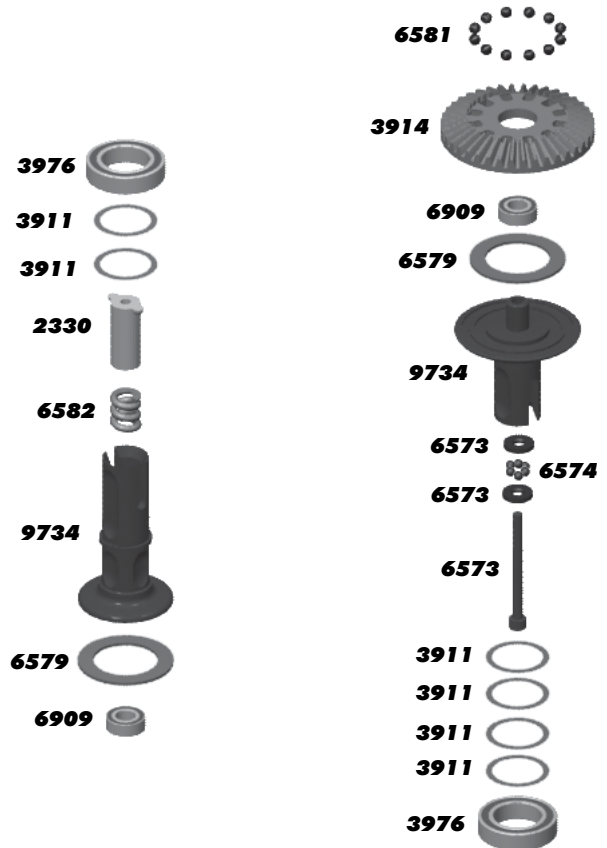
:: Lubes & Adhesives / Decals / Misc.

1105	FT Green Slime Shock Lube	1
1596	FT Locking Adhesive	1
1597	FT Tire Adhesive, medium	1
6588	Black Grease - 4cc	1
6591	S.Diff Lube - 4cc	1
6636	Silicone Grease - 4cc	1
6727	Servo Tape	2
716	Reedy 2009 Sticker Set	1
717	Reedy Powered Logo Decal	1
3816	American Bumper Sticker	1
3820	AE Logo Decal Sheet	1
3834	AE Blue Embossed Logo Sticker	2
9777	B44.1 Decal Sheet	1



:: Differentials

2330	Diff T-nut	2
3911	Trans. Shim Set	1
3914	Differential Ring Gear & Drive Pinion Gear	1
3976	3/8 x 5/8" RS Ball Bearing	2
6573	Diff Thrust Washer & Bolt	1
6574	5/64" Diff Thrust Balls	6
6579	Diff Drive Rings	2
6581	3/32" Carbide Diff Balls	12
6582	Diff Thrust Spring	1
6909	Diff Bearing 3/16 x 5/16"	2
9734	B44 Outdrives, Set	1



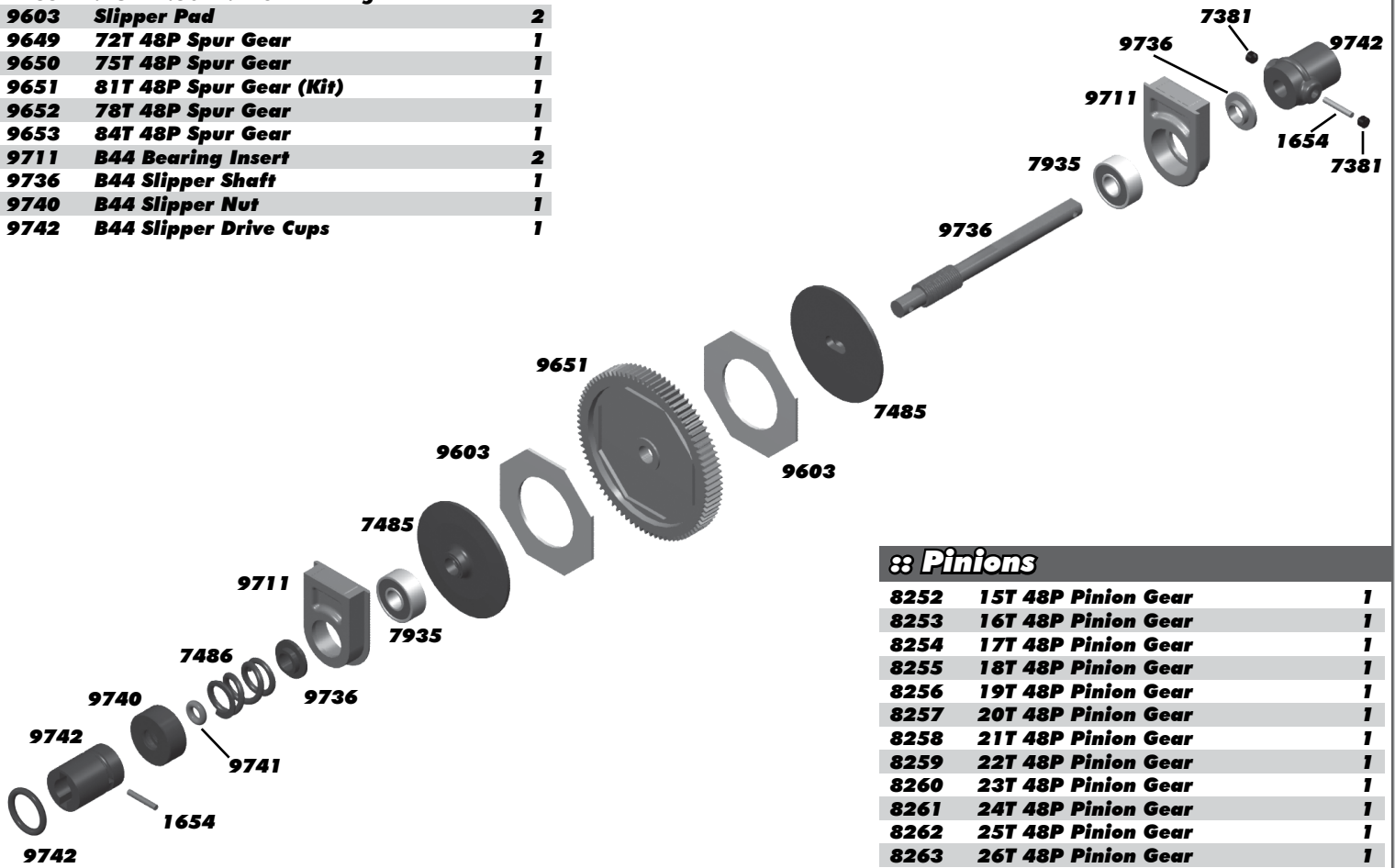
:: Shock Oil

5420	10 Weight Silicone Shock Oil	2oz.
5421	20 Weight Silicone Shock Oil	2oz.
5422	30 Weight Silicone Shock Oil	2oz.
5423	40 Weight Silicone Shock Oil	2oz.
5424	22.5 Weight Silicone Shock Oil	2oz.
5425	80 Weight Silicone Shock Oil	2oz.
5426	27.5 Weight Silicone Shock Oil	2oz.
5427	15 Weight Silicone Shock Oil	2oz.
5428	25 Weight Silicone Shock Oil	2oz.
5429	35 Weight Silicone Shock Oil	2oz.
5430	45 Weight Silicone Shock Oil	2oz.
5431	55 Weight Silicone Shock Oil	2oz.
5432	32.5 Weight Silicone Shock Oil	2oz.
5433	37.5 Weight Silicone Shock Oil	2oz.
5434	42.5 Weight Silicone Shock Oil	2oz.
5435	50 Weight Silicone Shock Oil	2oz.
5436	60 Weight Silicone Shock Oil	2oz.
5437	70 Weight Silicone Shock Oil	2oz.
5438	47.5 Weight Silicone Shock Oil	2oz.



:: Slipper / Spur Gears / Pinions

1654	FT Axle Pins	4
7381	CVD Rebuild Kit	1
7485	FT V2 Slipper Hubs	2
7486	FT V2 Slipper Spring and Washer	1
7935	.187 x .50 x .196" Bearing	2
9603	Slipper Pad	2
9649	72T 48P Spur Gear	1
9650	75T 48P Spur Gear	1
9651	81T 48P Spur Gear (Kit)	1
9652	78T 48P Spur Gear	1
9653	84T 48P Spur Gear	1
9711	B44 Bearing Insert	2
9736	B44 Slipper Shaft	1
9740	B44 Slipper Nut	1
9742	B44 Slipper Drive Cups	1

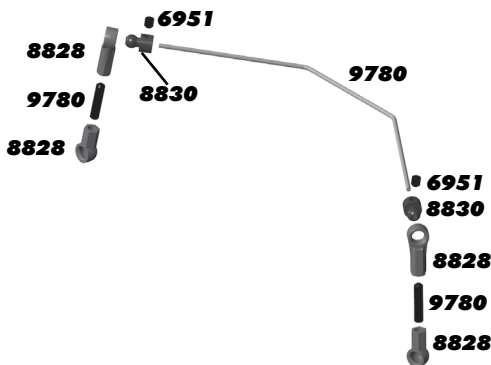


:: Pinions

8252	15T 48P Pinion Gear	1
8253	16T 48P Pinion Gear	1
8254	17T 48P Pinion Gear	1
8255	18T 48P Pinion Gear	1
8256	19T 48P Pinion Gear	1
8257	20T 48P Pinion Gear	1
8258	21T 48P Pinion Gear	1
8259	22T 48P Pinion Gear	1
8260	23T 48P Pinion Gear	1
8261	24T 48P Pinion Gear	1
8262	25T 48P Pinion Gear	1
8263	26T 48P Pinion Gear	1
8264	27T 48P Pinion Gear	1
8265	28T 48P Pinion Gear	1
8266	29T 48P Pinion Gear	1
8267	30T 48P Pinion Gear	1
8268	31T 48P Pinion Gear	1
8269	32T 48P Pinion Gear	1

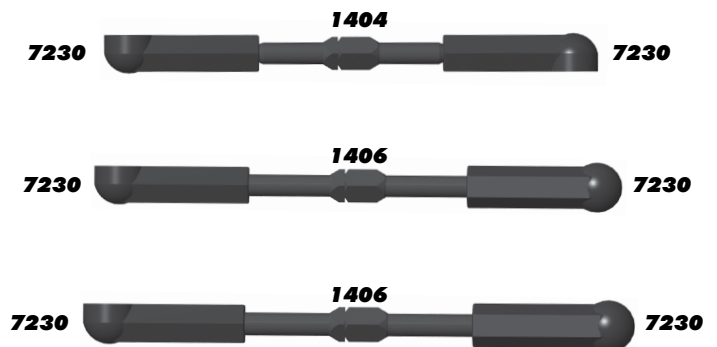
:: Anti-Roll Bars

6951	4-40 x 1/8" Set Screw	6
8828	Anti Roll Bar Cups, Set	1
8830	Anti Roll Bar Pivots (with setscrews), Set	1
9780	B44 Anti Roll Bar Kit	1



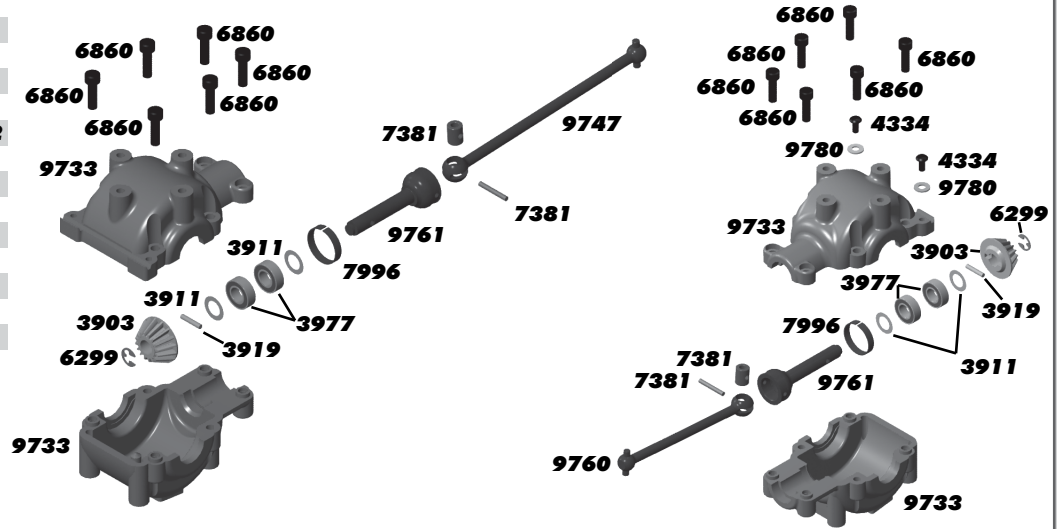
:: Turnbuckles

1404	FT Blue Titanium Turnbuckles 1.775" / 45mm	Pr.
1406	FT Blue Titanium Turnbuckle 2.00 / 51mm"	Pr.
7230	Ball Cups, Large	12



:: Front and Rear Gearboxes

3903	Drive Pinions	2
3911	Trans. Shim Set	1
3919	Input Shaft Hardware	1
3977	3/16 x 3/8" RS Ball Bearing	2
4334	2-56 x 5/16" BHCS	8
6299	1/8" Small E-Clips	12
6860	FT 4-40 x 3/8" SHCS, blue	6
7381	CVD Rebuild Kit	1
7996	Posilock QC Pin Retainer	2
9733	B44 Transmission Case	1
9747	B44 Front CVA Bone	2
9760	B44 Center Bone, Rear	1
9761	B44 CVA Input Shaft	1
9780	B44 Anti Roll Bar Kit	1



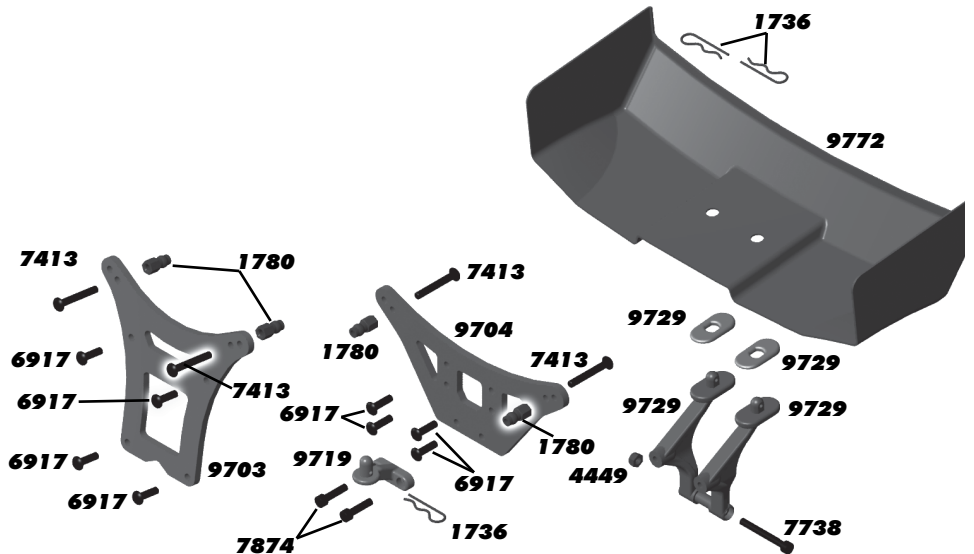
:: Steering

1779	FT Servo Mount, blue	0
3874	Block Carrier Bushings	4
3981	Ballstud .20" Black, short	6
6272	Foam Ballend Dust Covers	28
6276	Ballstud .20" Silver, short	6
6277	Ballstud .30" Silver, short	6
6292	4-40 x 3/8" FHCS	6
6917	4-40 x 3/8" BHCS	6
7336	Steering Servo Mount Kit	1
7337	.250 x .125 x .015" Washer	4
7911	Steering Servo Link	1
9180	Servo Horns, Molded	1
9630	Ballstud Washer	10
9743	B44 Steering Set	1
9744	B44 Steering Hardware	1
9746	B44 Steering Bearing Set	1
89007	Steering Servo Ring, blue	1



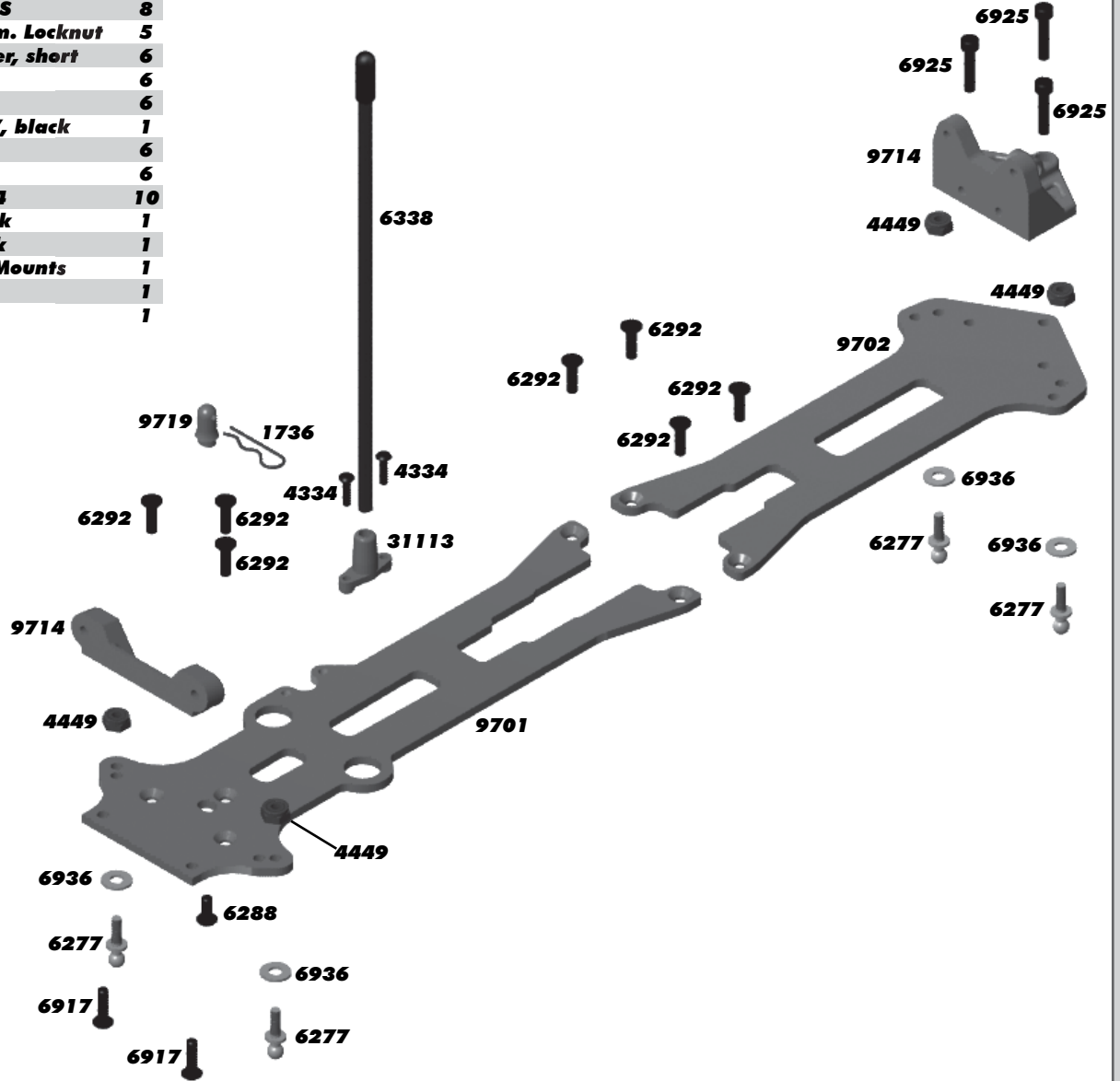
:: Front and Rear Shock Towers

1736	FT Body Clips, Short, blue	6
1780	FT Blue Alum. Shock Bushing, std	4
4449	4-40 x 3/16" Alum. Locknut	5
6917	4-40 x 3/8" BHCS	6
7413	4-40 x 3/4" BHCS	6
7738	4-40 x 7/8" SHCS	6
7874	4-40 x 7/16" SHCS	8
9703	B44 Front Shock Tower	1
9704	B44 Rear Shock Tower	1
9719	B44 Body Mounts	1
9729	B44 Wing Mounts	1
9772	High Downforce Wing 6.5"	1



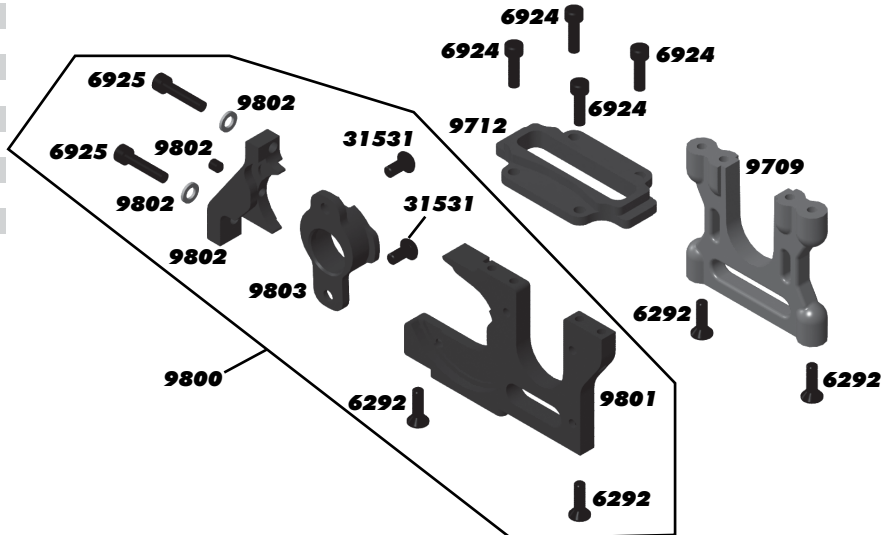
:: Front and Rear Top Plates

1736	FT Body Clips, Short, blue	6
4334	2-56 x 5/16" BHCS	8
4449	4-40 x 3/16" Alum. Locknut	5
6277	Ballstud .30" Silver, short	6
6288	4-40 x 1/4" BHCS	6
6292	4-40 x 3/8" FHCS	6
6338	Antenna Tube 12", black	1
6917	4-40 x 3/8" BHCS	6
6925	4-40 x 1/2" SHCS	6
6936	Washers, Alum. #4	10
9701	B44 Front Top Deck	1
9702	B44 Rear Top Deck	1
9714	B44 Shock Tower Mounts	1
9719	B44 Body Mounts	1
31113	Antenna Mount	1



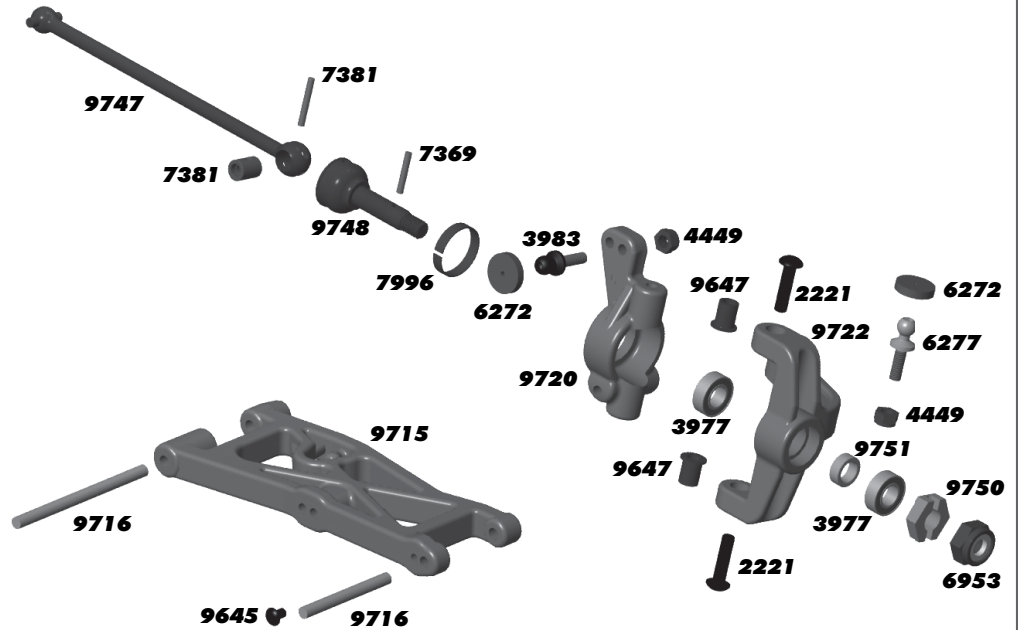
:: Center Bulkhead and Motor Mount

6292	4-40 x 3/8" FHCS	6
6924	4-40 x 3/8" SHCS	6
6925	4-40 x 1/2" SHCS	6
9709	B44 Center Bulkhead	1
9712	B44 Center Bulkhead Cap	1
9800	B44 FT Cam Motor Mount Set	1
9801	B44 FT Cam Motor Mount	1
9802	B44 FT Motor Mount Clamp	1
9803	B44 FT Motor Mount Cam	1
31531	M3 x 6mm BHCS	6



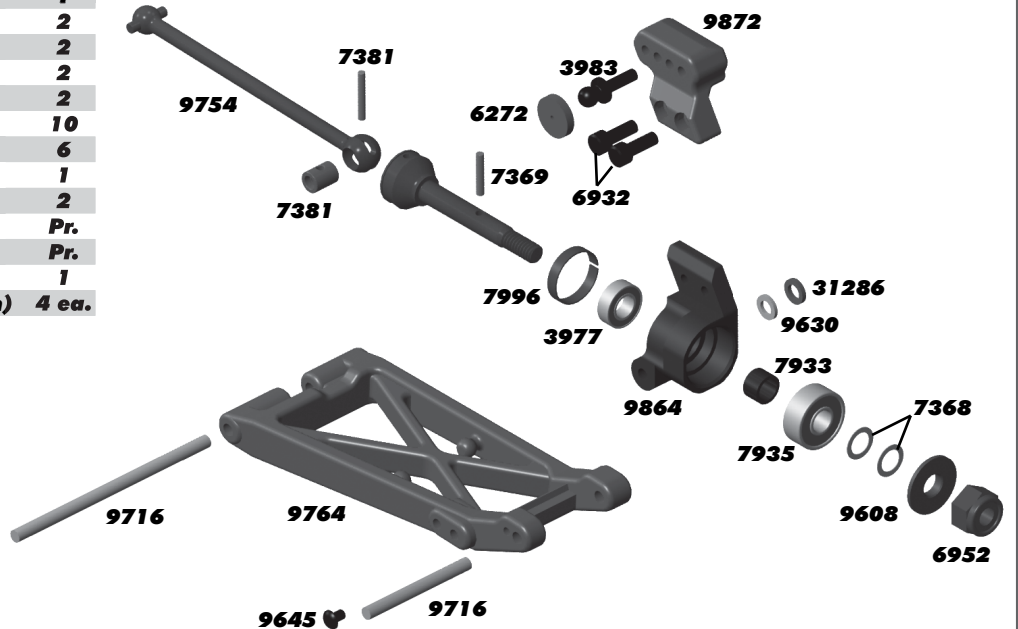
:: Front Suspension

2221	4-40 x 7/16" BHCS	6
3977	3/16 x 3/8" RS Ball Bearing	2
3983	Ballstud .30" Black, short	6
4449	4-40 x 3/16" Alum. Locknut	5
6272	Foam Ballend Dust Covers	28
6277	Ballstud .30" Silver, short	6
6953	8-32 LP Steel Locknut	6
7369	1/16" Universal Roll Pins	4
7381	CVD Rebuild Kit	1
7996	PosiLock QC Pin Retainer	2
9645	2-56 x 1/8" BHCS	6
9647	B44 Steering Block Bushing	4
9715	B44 Front Arms	Pr.
9716	B44 Hinge Pin Set	1
9720	B44 Caster Block	Pr.
9722	B44 Steering Block	Pr.
9747	B44 Front CVA BoneB44	2
9748	Front CVA Axle	2
9750	B44 Axle Drive Hex	2
9751	B44 Front Crush Tube	2



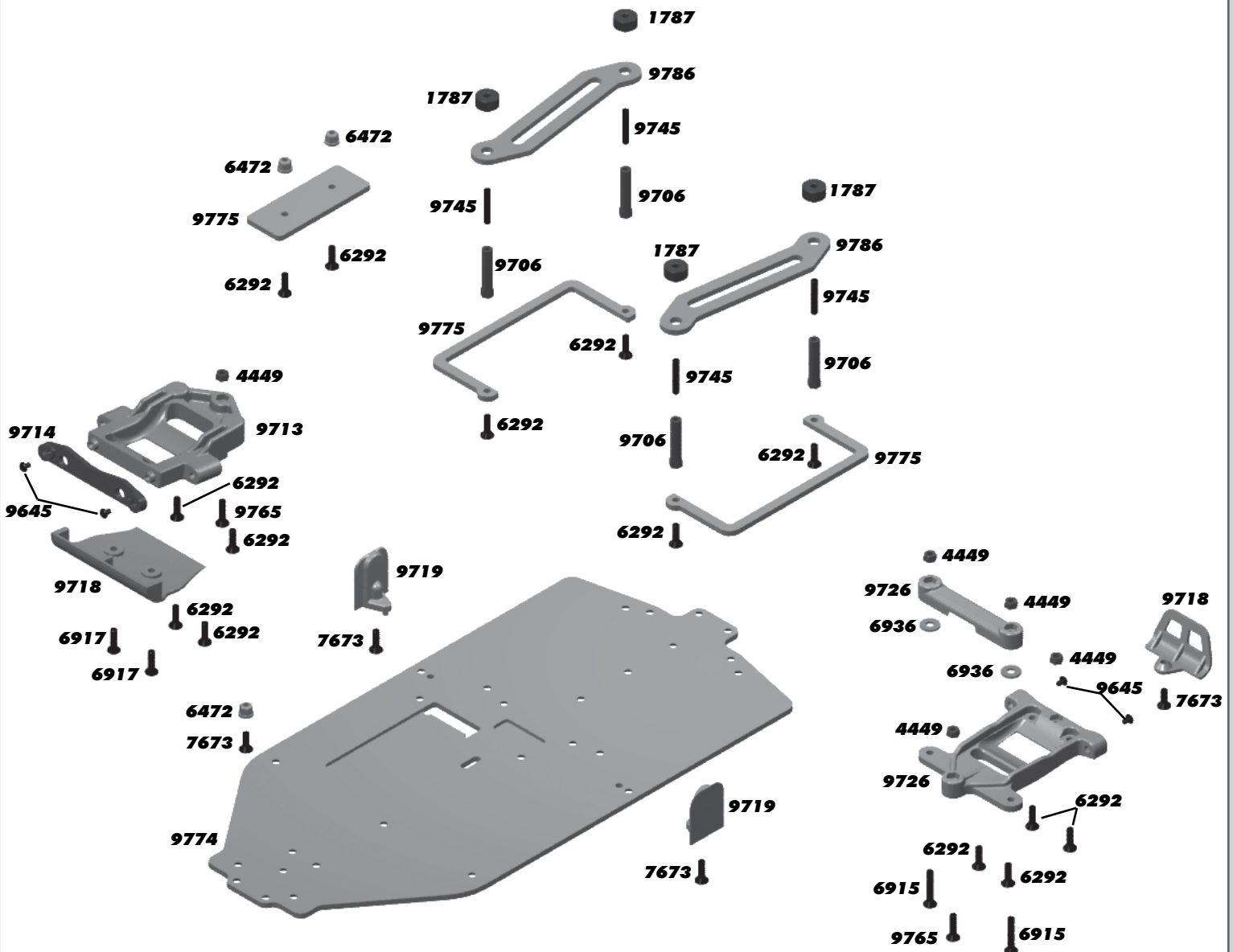
:: Rear Suspension

3977	3/16 x 3/8" RS Ball Bearing	2
3983	Ballstud .30" Black, short	6
6272	Foam Ballend Dust Covers	28
6932	4-40 x 5/16" SHCS	6
6952	8-32 Locking Nut, Steel	6
7368	3/16" Axle Shims	14
7369	1/16" Universal Roll Pins	4
7381	CVD Rebuild Kit	1
7933	Crush Tube GT2	2
7935	.187 x .50 x .196" Bearing	2
7996	PosiLock QS Pin Retainer	2
9608	RR Axle Wheel Spacer	2
9630	Ballstud Washer	10
9645	2-56 x 1/8" BHCS	6
9716	B44 Hinge Pin Set	1
9754	B44 Rear CVA Bone	2
9764	B44 Rear Arm	Pr.
9864	B44 FT Aluminum Hub, 0°	Pr.
9872	B44 FT Aluminum Hub Tower Set	1
31286	Alum. Ballstud Washer (1mm, 2mm)	4 ea.



:: Chassis and Battery Mounts

1787	FT Battery Strap Thumbscrews	2
4449	4-40 x 3/16" Alum. Locknut	5
6292	4-40 x 3/8" FHCS	6
6472	Shock Mount Nuts	4
6915	4-40 x 5/8" FHCS	6
6917	4-40 x 3/8" BHCS	6
6936	Washers, Alum. #4	10
7673	4-40 x 5/16" FHCS	6
9645	2-56 x 1/8" BHCS	4
9706	B44 Battery Post	2
9713	B44 Front Bulkhead	1
9714	B44 Shock Tower Mounts	1
9718	B44 Front & Rear Bumper	1 ea.
9719	B44 Body Mounts	2
9726	B44 Rear Chassis Plate, 3° arm mount	1
9745	B44 Servo Link and Setscrew	1
9765	4-40 x 7/16" FHCS	6
9774	B44.1 LiPo Chassis	1
9775	B44.1 LiPo Battery Tray	1
9786	B44 Battery Strap Carbon Fiber	2



:: Factory Team and Option Parts

1404	Ti Turnbuckle 1.775" Blue	2
1406	Ti Turnbuckle 2.00" Blue	2
1411	Ti Turnbuckle 0.75" Blue	2
1598	FT Blue Aluminum Shock Cap	1
1654	FT Solid Axle Pins	4
1728	FT HD Front One-Way Set	1
1729	FT HD One-Way Housing Set	1
1730	FT HD One-Way Outdrive Cup	Pr.
1731	FT Bearings for HD One-Way	Pr.
1732	FT HD One-Way Ring Gear	1
1733	FT HD One-Way Shims	8
1736	FT Short Body Clips Blue	6
1777	FT Blue Aluminum Ball/Eyelet Set	1
1779	FT Servo Mount Blue Aluminum	2
1780	FT Aluminum Shock Bushing	4
1787	Battery Strap Thumbscrew	2
6417	FT Shock Shaft Gold 1.02"	1
6903	3/8 x 5/8" PTFE Bearings	Pr.
6906	3/16 x 3/8" PTFE Bearings	Pr.
6937	FT Blue 4-40 Locknuts	6
6943	FT Blue 8-32 Locknuts	4
7416	Threaded Shock Collar	Pr.
7474	FT V2 .89" Threaded Shocks	Pr.
7475	FT V2 .89" Threaded Bodies	Pr.
7478	FT V2 1.18" Threaded Shocks	Pr.
7479	FT V2 1.18" Threaded Bodies	Pr.
7484	FT V2 1:10 Shock Rebuild Kit	1
7996	CVA Pin Retainer	2
9608B	RR Axle Wheel Spacer, blue	2
9710	B44 Alum. Center Bulkhead	1
9721	B44 Alum. Caster Blocks	Pr.
9723	FT Shock Shaft Gold 0.80"	1
9774	B44.1 LiPo Chassis	1
9775	B44.1 LiPo Battery Tray	1
9776	B44.1 LiPo Ballast Weight	1
9779	B44 Complete Bearing Set	1
9783	B44 Alum. Front Tower Mount	1
9784	B44 Alum. Rear Tower Mount	1
9786	B44 Carbon Battery Strap	2
9787	Chassis Protective Sheet	1
9795	Ti Nitride Ballstuds 4-40 x 0.20" Long	2
9796	Ti Nitride Ballstuds 4-40 x 0.30" Long	2
9797	Ti Nitride Ballstuds 4-40 x 0.40" Long	2
9798	Ti Nitride Ballstuds 4-40 x 0.20" Short	2
9799	Ti Nitride Ballstuds 4-40 x 0.30" Short	2
9800	B44 Cam Motor Mount Set	1
9801	B44 Cam Motor Mount	1
9802	B44 Motor Mount Clamp	1
9803	B44 Motor Mount Cam	1
9864	B44 FT Aluminum Hub, 0°	Pr.
9865	B44 FT Aluminum Hub, 0.5°	Pr.
9866	B44 FT Aluminum Hub, 1°	Pr.
9867	B44 FT Aluminum Hub, 1.5°	Pr.
9872	B44 FT Aluminum Hub Tower Set	1

:: XP Electronics

29107	S1903 Metal Gear Set	1
29125	S1903MG Servo	1
29126	S2008MG Servo	1
29132	SHV1504MG Servo	1
29140	XP SC200 Brushed ESC	1
29141	XP SC450-BL Brushless ESC	1
29166	XP DS1313 Digital Servo	1
29177	XP DS1015 Digital Servo	1
29209	Gear Set, DS1313	1
29210	Gear Set, DS1015	1
29211	Servo Case, DS1313 / DS1015	1
29212	Accessory Pack, DS1313 / DS1015	1
29221	XP3SS 2.4GHz Radio System	1
29222	TRS401SS 2.4GHz 4Ch Receiver	1

:: Reedy Motors and ESC's

916	540R Brushless Motor 3300kV	1
917	540R Brushless Motor 3900kV	1
918	540R Brushless Motor 4900kV	1
919	540R Brushless Motor 6100kV	1
936	XP SC450-BL/Reedy 540R 3300kV Combo	1
937	XP SC450-BL/Reedy 540R 3900kV Combo	1
938	XP SC450-BL/Reedy 540R 4900kV Combo	1
939	XP SC450-BL/Reedy 540R 6100kV Combo	1

:: Reedy Batteries

302	AA Alkaline 1.5V (4)	1
303	AA 2700mAh NiMH 1.2V Rechargeable	1
627	LiPo 60C 5200mAh 7.4V SP	1
632	TX Lightweight Battery 1350mAh 11.1V	1
633	TX Battery - 3PK, M11 3000mAh 11.1V	1
634	TX Battery - Helios, Z1 2400mAh 11.1V	1
637	TX Battery - M11X 2500mAh 7.4V	1
686	LiPo 40C+ 4200mAh 7.4V SP	1
710	LiPo 5100mAh 7.4V 35C SP ROAR Spec	1
712	LiPo 4200mAh 7.4V 35C SP EFRA Spec	1

:: Reedy Accessories

605	Motor Cooling Fans (2)	1
610	AC/DC NiMH Peak Charger	1
654	4.0mm plugs (2M, 2F)	1
655	4.0mm plugs (2M, 10F)	1
656	4.0mm plugs (10F)	1
657	4.0mm plugs (100F)	1
658	4.0mm plugs (10M)	1
659	4.0mm plugs (30M)	1
660	3.5mm plugs (3M, 3F)	1
661	3.5mm plugs (10F)	1
662	3.5mm plugs (100F)	1
663	3.5mm plugs (10M)	1
664	3.5mm plugs (30M)	1
716	Reedy 09 Decal Set	1
SP35M	Reedy Logo T-Shirt - White M	1
SP35L	Reedy Logo T-Shirt - White L	1
SP35XL	Reedy Logo T-Shirt - White XL	1
SP35XXL	Reedy Logo T-Shirt - White XXL	1
SP35XXXL	Reedy Logo T-Shirt - White XXXL	1
SP36M	Reedy Logo T-Shirt - Black M	1
SP36L	Reedy Logo T-Shirt - Black L	1
SP36XL	Reedy Logo T-Shirt - Black XL	1
SP36XXL	Reedy Logo T-Shirt - Black XXL	1
SP36XXXL	Reedy Logo T-Shirt - Black XXXL	1
SP417	Factory Team 1/10 Motor Storage Bag	1
SP418	Factory Team 1/10 Car Carrier Bag	1

:: LRP Brushless Motors

LRP50642	LRP X-12 9.5 Turn	1
LRP50652	LRP X-12 8.5 Turn	1
LRP50662	LRP X-12 7.5 Turn	1
LRP50672	LRP X-12 6.5 Turn	1
LRP50682	LRP X-12 5.5 Turn	1
LRP50687	LRP X-12 5.0 Turn	1
LRP50692	LRP X-12 4.5 Turn	1
LRP50702	LRP X-12 4.0 Turn	1
LRP50712	LRP X-12 3.5 Turn	1
LRP50722	LRP X-12 3.0 Turn	1
LRP50832	Vector X-12 Stock-Spec 10.5 Turn	1
LRP50842	Vector X-12 Stock Spec 13.5 Turn	1
LRP50852	Vector X-12 Stock Spec 17.5 Turn	1
LRP50862	Vector X-12 Stock Spec 21.5 Turn	1

:: LRP Speed Controls

LRP8320	AI Super Reverse	1
LRP8325	AI Pro Reverse	1
LRP8337	AI Bullet Reverse	1
LRP80100	AI Brushless Reverse	1
LRP80150	AI Brushless Pro Reverse	1
LRP80400	SPX Brushless Super Reverse	1
LRP80800	V 8.1	1
LRP80830	Quantum Competition 3	1
LRP80900	SXX Competition Speed Control	1
LRP80910	SXX Stock-Spec Speed Control	1
LRP80950	SXX TC-Spec Speed Control	1
LRP86500	NEXXT 4X esc	1
LRP80905	SXX Competition V.2	1
LRP80955	SXX TC-Spec V.2	1
LRP80460	Ultimo Drift	1

:: LRP Brushless Combos

LRP80640	SXX TC / X-12 3.0 Turn	1
LRP80641	SXX TC / X-12 3.5 Turn	1
LRP80642	SXX TC / X-12 4.0 Turn	1
LRP80643	SXX TC / X-12 4.5 Turn	1
LRP80644	SXX TC / X-12 5.0 Turn	1
LRP80645	SXX TC / X-12 5.5 Turn	1
LRP80646	SXX TC / X-12 6.5 Turn	1
LRP80647	SXX TC / X-12 7.5 Turn	1
LRP80648	SXX TC / X-12 8.5 Turn	1
LRP80649	SXX TC / X-12 9.5 Turn	1
LRP80654	SXX COMP / X-12 5.0 Turn	1
LRP80655	SXX COMP / X-12 5.5 Turn	1
LRP80656	SXX COMP / X-12 6.5 Turn	1
LRP80657	SXX COMP / X-12 7.5 Turn	1
LRP80658	SXX COMP / X-12 8.5 Turn	1
LRP80659	SXX COMP / X-12 9.5 Turn	1
LRP80673	SXX Stock-Spec / X-12 Stock-Spec 10.5 Turn	1
LRP80674	SXX Stock-Spec / X-12 Stock-Spec 13.5 Turn	1
LRP80675	SXX Stock-Spec / X-12 Stock-Spec 17.5 Turn	1

:: LRP Charger, Power Supply, Balancer, Iron

LRP41281	Quadra Pro 2 Charger	1
LRP41555	Pulsar Touch Competition Charger	1
LRP43150	Power Supply Competition	1
LRP45200	LiPo Parallel Balancer	1
LRP65800	High Power Solder Station	1
LRP65802	Soldering Tip 5mm	1
LRP65803	Soldering Tip 1.2mm	1
LRP65804	Soldering Handle	1

:: LRP Misc.

LRP50620	X-12 Replacement Ball Bearings	1
LRP50621	X-12 Optional Ceramic Ball Bearings	1
LRP50622	X-12 Small parts Set	1
LRP50623	X-12 PreciSensor Unit	1
LRP50624	X-12 Replacement alum Front can	1
LRP50625	X-12 Lightweight Alum Can	1
LRP50626	X-12 Alum Rear Cover	1
LRP50632	X-12 12.0mm sintered rotor	1
LRP50633	X-12 12.5mm sintered rotor	1
LRP50634	X-12 13.0mm sintered rotor	1
LRP80135	BEC stabilizing capacitor	1
LRP82520	Brushless/Brushed Cooling Set	1
LRP82511	Brushless Low Profile Fan	1
LRP819307	70mm High Flex Sensor Wire	1
LRP819310	100mm High Flex Sensor Wire	1
LRP819315	150mm High Flex Sensor Wire	1
LRP819320	200mm High Flex Sensor Wire	1

:: Apparel

SP35**	Reedy 09' White T-Shirt (M, L, XL, XXL, XXXL)	1
SP36**	Reedy 09' Black T-Shirt (M, L, XL, XXL, XXXL)	1
SP58**	AE Logo Black T-Shirt (M, L, XL, XXL)	1
SP59**	AE Logo Blue T-Shirt (M, L, XL, XXL)	1
SP60**	AE Hooded Sweatshirt (S, M, L, XL, XXL)	1
SP61**	AE Vertigo Hooded Sweatshirt (S, M, L, XL, XXL)	1
SP62**	AE Vertigo Long Sleeve T-Shirt (S, M, L, XL, XXL)	1
SP63**	AE Vertigo White T-Shirt (S, M, L, XL, XXL)	1
SP64**	AE Vertigo Blue T-Shirt (S, M, L, XL, XXL)	1
SP65**	AE Vertigo Black T-Shirt (S, M, L, XL, XXL)	1
SP100	1/8 Inner and Outer Boxes Only, Set	1
SP101	1/8 Inner Boxes Only, Set	1
SP102	1/10 Inner and Outer Boxes Only, Set	1
SP103	1/10 Inner Boxes Only, Set	1
SP410**	AE Hats Black (S-M, L-XL, XXL-XXXL)	1
SP415	1/8 Car Carrier Bag Only	1
SP416	1/10 Car Carrier Bag Only	1
SP417	1/10 FT Motor Bag	1
SP418	1/10 FT Car Carrier Bag with Boxes, Set	1
SP420**	AE Pit Gloves (M, L, XL)	Pr.
715	Reedy 2009 Track Banner	1
110684	Team Associated Track Banner	1

** Use part number plus the desired size when ordering!

:: 1/18 Kits and RTR's

20100	RC18T RTR (ready-to-run)	1
20101	RC18T2 2.4ghz RTR (ready-to-run)	1
20103	RC18B2 - RC18T2 Team Kit	1
20105	RC18B RTR (ready-to-run)	1
20106	RC18B2 2.4ghz RTR (ready-to-run)	1
20110	RC18MT RTR (ready-to-run)	1
20115	RC18R Kamino RTR (ready-to-run)	1
20118	RC18R Niteline RTR (ready-to-run)	1
20120	SC18 RTR (ready-to-run)	1
20130	RC18LM RTR (ready-to-run)	1

:: 1/12, 1/10 Kits and RTR's

2033	FT Nitro TC3 Kit	1
2042	Nitro TC3 RTR Plus (ready-to-run)	1
4019	FT 12R5.1 Kit	1
7020	RC10T4 Team Truck Kit	1
7023	RC10T4.1 FT Kit	1
7027	SC10 2WD Short Course Race Truck Kit	1
7029	SC10 Associated/RC10.com Truck RTR (ready-to-run)	1
7030	SC10 KMC Wheels Race Truck RTR (ready-to-run)	1
7032	SC10 Ready Lift RTR (ready-to-run)	1
7034	SC10 FT Kit	1
7036	RC10T4.1 RTR 2.4GHz Brushed (ready-to-run)	1
7037	RC10T4.1 RTR 2.4GHz Brushless (ready-to-run)	1
7040	SC10 RTR, 2.4ghz Brushless Lucas Oil Body	1
7041	SC10 RTR, 2.4ghz Brushless Speed Tech/Bully Dog Body	1
7043	SC10 RTR, 2.4ghz Brushless Pro Comp Body	1
7044	SC10 RTR, 2.4ghz Brushless Rockstar / Makita Body	1
7080	FT GT2 Nitro Truck Kit	1
7092	GT2 RS Truck Nitro RTR (ready-to-run)	1
8020	FT RC10R5 Kit	1
8021	FT RC10R5-OVAL Kit	1
9034	RC10B4 Buggy Team Kit	1
9036	RC10B4.1 FT Kit	1
9038	RC10B4.1 RTR 2.4GHz Brushed (ready-to-run)	1
9039	RC10B4.1 RTR 2.4GHz Brushless (ready-to-run)	1
9061	FT B44.1 4WD Buggy Kit	1
20515	MGT 3.0 Nitro Monster Truck RTR (ready-to-run)	1
30105	FT TC5R Rubber Tire Edition 4WD Touring Car Kit	1
30106	FT TC6 4WD Touring Car Kit	1
30111	TC4 4WD Touring Car RTR (ready-to-run)	1

:: 1/8 Kits and RTR's

20503	Limited Edition MGT 4.60 Nitro RTR, w/flag body (ready-to-run)	1
20504	Limited Edition MGT 8.0 Nitro RTR, w/flag body (ready-to-run)	1
80902	FT RC8B Nitro Buggy Kit	1
80904	FT RC8Be Electric Buggy Kit	1
80905	RC8RS "Race Spec" Nitro Buggy RTR (ready-to-run)	1
80912	RC8T Championship Edition	1
80915	RC8T-RS "Race Spec" Nitro Truggy RTR (ready-to-run)	1
80920	SC8 Short Course Race Truck, Red Bull Nitro RTR (ready-to-run)	1
80921	SC8 Short Course Race Truck, Lucas Oil Nitro RTR (ready-to-run)	1
80922	SC8 Short Course Race Truck, KMC Wheels Nitro RTR (ready-to-run)	1
80923	SC8 Short Course Race Truck, Bully Dog Nitro RTR (ready-to-run)	1
80924	SC8 Short Course Race Truck, AE Team Nitro RTR (ready-to-run)	1
80925	SC8 Short Course Race Truck, Pro Comp Nitro RTR (ready-to-run)	1
80932	SC8e Short Course Race Truck Rockstar/Makita RTR (ready-to-run)	1

:: Tools

1111	FT Turnbuckle Wrench	1
1449	Offroad Ride Height Gauge	1
1450	FT Ride Height Gauge	1
1541	FT Hex Driver Set, (7 pcs)	1
1542	FT .050" Silver Hex Driver	1
1543	FT 1/16" Black Hex Driver	1
1544	FT 1.5mm Purple Hex Driver	1
1545	FT 5/64" Blue Hex Driver	1
1546	FT 3/32" Gold Hex Driver	1
1547	FT 2.5mm Green Hex Driver	1
1548	FT 3mm Red Hex Driver	1
1551	FT Screwdriver Set	1
1553	FT Phillips Silver Screwdriver	1
1554	FT Silver Spring Hook Tool	1
1561	FT Nut Driver Set, (6 pcs)	1
1562	FT 3/16" Black Nut Driver	1
1563	FT 1/4" Red Nut Driver	1
1564	FT 5.5mm Red Nut Driver	1
1565	FT 11/32" Green Nut Driver	1
1566	FT 7.0mm Silver Nut Driver	1
1567	FT 8mm Gold Nut Driver	1
1589	FT 5/64" Blue Ball Hex Driver	1
1590	FT 3/32" Gold Ball Hex Driver	1
1592	FT Ball Hex Driver Set, (3 pcs)	1
1719	FT Camber + Track Width Tool	1
1737	FT Body Scissors	1
3718	12 Inch Nylon Wire Ties	12
3719	6 Inch Nylon Wire Ties	12
3720	8 Inch Nylon Wire Ties	12
3987	FT Droop Gauge	1
6429	Shock Building Tool	1
6956	Molded Tools, Set	1
7709	4 Inch Nylon Wire Ties	12

:: Contact Information

Associated Electrics, Inc.
26021 Commercentre Drive
Lake Forest, CA 92630-8853 USA
<http://www.TeamAssociated.com>
<http://www.RC10.com>
[http://twitter/Team Associated](http://twitter/TeamAssociated)
<http://bit.ly/AEonFacebook>

call: (949) 544-7500

fax: (949) 544-7501

Check out the following web sites for all of our electric kits, current products, new releases, setup help, tips, and racing info!

www.TeamAssociated.com - www.RC10.com

:: Notes

A large, empty rectangular area intended for taking notes, framed by a thin black border.

Setup Sheet

Front Suspension

Anti Roll Bar:

- 0.047" Black
- 0.055" Silver
- None

Bumpsteer Washer: 0

Camber: -1°

Toe: 0°

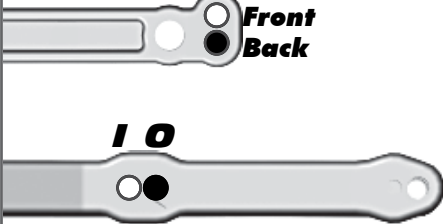
Ride Height: 21mm



Washers: 1

Steering Rack:

Front Back



Notes: _____

Rear Suspension

Anti Roll Bar:

- 0.047" Black
- 0.055" Silver
- None

Camber: -1°

Toe: 3°

Ride Height: 20mm

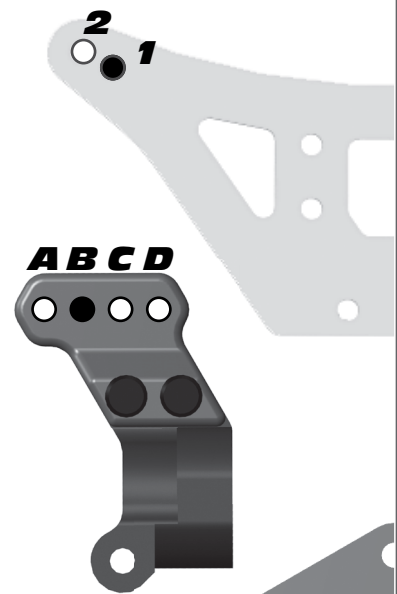
Aluminum Hub Tower:

- A
- B

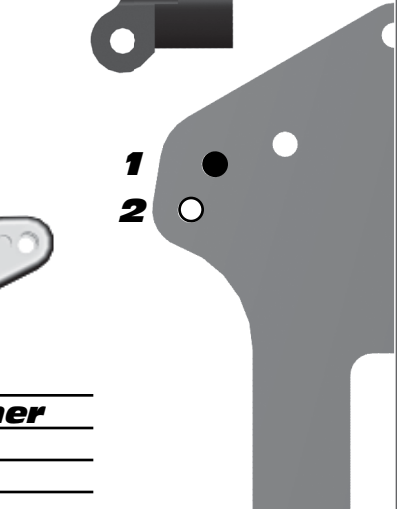
Wheelbase:

- Long
- Medium
- Short

Notes: **Measure ride height on back corner of chassis**



A B C D



Front Shocks

Spring: Silver Piston: #2
 Shock Oil: 35 wt Limiter: 1

Rear Shocks

Spring: Green Piston: #1
 Shock Oil: 30 wt Limiter: 1

Electronics

Motor & Wind: _____
 Pinion: _____
 Spur Gear: _____
 Batteries: _____
 Battery Placement: _____

Radio: _____
 Throttle / Brake e.p.a.: _____
 Throttle / Brake expo: _____
 ESC: _____ Throttle Profile: _____
 Initial Brake: _____ Drag Brake: _____
 Servo: _____ Steering Expo: _____

Differentials

Front Diff Setting: Standard
 Rear Diff Setting: Standard

Other

Body Type: JConcepts Punisher
 Wing Type: 6.5" high Wing Angle: 9°

Front Tires

Tire: Holeshot 2.0
 Compound: M3
 Insert: Standard
 Wheel: Standard

Rear Tires

Tire: Holeshot 2.0
 Compound: M3
 Insert: Standard
 Wheel: Standard

Race and Vehicle Comments







Qualify: _____ Main: _____ Finish: _____ TQ: _____
 Comments: _____

Track Info





Smooth: Bumpy: Blue Groove:
 Traction: High: Medium: Low:
 Soft Dirt: Grass: Clay: Wet:
 Dusty: Other: _____

:: Hardware - 1:1 Scale View







Cap Head (shcs)

-  **4-40x5/16" (6932)**
(aluminum ,4145)
-  **4-40x3/8" (6924)**
(aluminum ,6860)
-  **4-40x7/16" (7874)**
(aluminum, 7873)
-  **4-40x1/2" (6925)**
-  **4-40x7/8" (7738)**
-  **3x6mm (6515)**
(motor mounting screws)






Flat Head (fhcs)

-  **4-40x5/16" (7673)**
-  **4-40x3/8" (6292)**
-  **4-40x7/16" (9765)**
-  **4-40x5/8" (6915)**

Button Head (bhcs)

-  **2-56x1/8" (9645)**
-  **2-56x5/16" (4334)**
-  **4-40x1/4" (6228)**
-  **4-40x3/8" (6917)**
-  **4-40x7/16" (2221)**
-  **4-40x3/4" (7413)**






Ball Bearings

-  **Steering Bearing (9746)**
-  **3/16x5/16" (6906)**
-  **3/16x3/8" (3977)**
-  **3/16x1/2" RS (7935)**
-  **3/8x5/8" RS (3976)**

Shims and Washers

-  **Ballstud Washer (9630)**
-  **.030" Nylon Spacer (4187)**
-  **Servo Mount Washer (7337)**
-  **#4 Washer (6936)**
-  **Input Shaft Shim - Black (3911)**
-  **3/16" Axle Shim - Silver (7368)**
-  **Outdrive Shim (3911)**

Nuts (lock/plain)

-  **4-40 Aluminum Locknut (4449)**
-  **4-40 Plastic Nut (6472)**
-  **5-40 Nylon Locknut (9744)**
-  **8-32 LP Steel Locknut (6953)**
-  **8-32 Steel Locknut (6952)**

Top Hat Bushings

-  **Small Top Hat Bushing (3874)**
-  **Large Top Hat Bushing (9647)**

Ballstuds

-  **Silver .20" Short (6276)**
-  **Silver .30" Long (6277)**
-  **Black .30" Long (3983)**

Clips

-  **E-clip (6299)**

Diff Balls

-  **5/64" Diff Thrust Balls (6574)**
-  **3/32" Carbide Diff Balls (6581)**

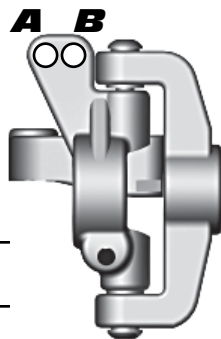
Notes:

Setup Sheet

Front Suspension

Anti Roll Bar:

- 0.047" Black
- 0.055" Silver
- None



Bumpsteer Washer: _____

Camber: _____

Toe: _____

Ride Height: _____

Washers: _____

Steering Rack:

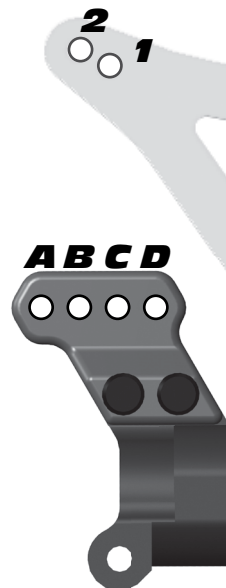


Notes: _____

Rear Suspension

Anti Roll Bar:

- 0.047" Black
- 0.055" Silver
- None



Camber: _____

Toe: _____

Ride Height: _____

Aluminum Hub Tower:

- A
- B

Wheelbase:

- Long
- Medium
- Short

Notes: _____

Front Shocks

Spring: _____ **Piston:** _____
Shock Oil: _____ **Limiter:** _____

Rear Shocks

Spring: _____ **Piston:** _____
Shock Oil: _____ **Limiter:** _____

Electronics

Motor & Wind: _____
Pinion: _____
Spur Gear: _____
Batteries: _____
Battery Placement: _____

Radio: _____
Throttle / Brake e.p.a.: _____
Throttle / Brake expo: _____
ESC: _____ **Throttle Profile:** _____
Initial Brake: _____ **Drag Brake:** _____
Servo: _____ **Steering Expo:** _____

Differentials

Front Diff Setting: _____
Rear Diff Setting: _____

Other

Body Type: _____
Wing Type: _____ **Wing Angle:** _____

Front Tires

Tire: _____
Compound: _____
Insert: _____
Wheel: _____

Rear Tires

Tire: _____
Compound: _____
Insert: _____
Wheel: _____

Race and Vehicle Comments

Qualify: _____ **Main:** _____ **Finish:** _____ **TQ:** _____
Comments: _____

Track Info

- Smooth:** **Bumpy:** **Blue Groove:**
- Traction:** **High:** **Medium:** **Low:**
- Soft Dirt:** **Grass:** **Clay:** **Wet:**
- Dusty:** **Other:** _____



**Associated Electrics, Inc.
26021 Commercentre Dr.
Lake Forest, CA 92630 USA**

<http://www.TeamAssociated.com>

<https://www.RC10.com>

https://twitter/Team_Associated

<https://bit.ly/AEonFacebook>

call: (949) 544-7500 - fax: (949) 544-7501

**Check out the following web sites for all of our kits,
current products, new releases, setup help, tips, and racing info!
www.TeamAssociated.com - www.RC10.com**